

8 button membrane SW to OSD Control Board CN2 Pin Assignment	
pin #	description
10	Common Ground
9	Select Up
8	Select Down
7	Adjust Up/Increase/Right
6	Adjust Down/Decrease/Left
5	Menu
4	Brightness Down
3	Brightness Up
2	ON/OFF
1	Common Ground

Jumper setting on OSD interface

DEFAULT POWER

JP1 : 1-2 closed - OFF

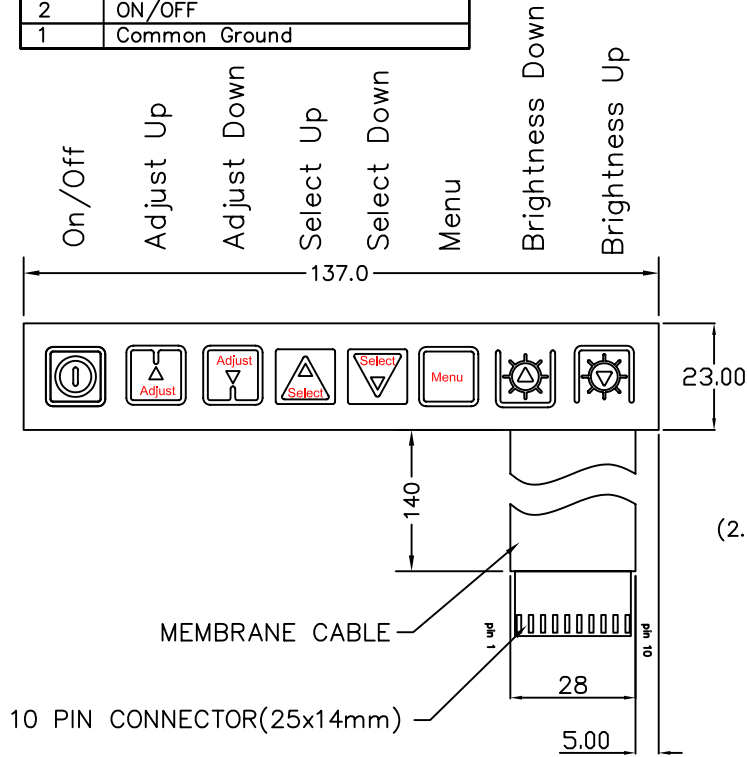
2-3 closed - ON

BRIGHTNESS INC/DEC SWITCH

JP2 : 1-3 & 2-4 closed - SWAP

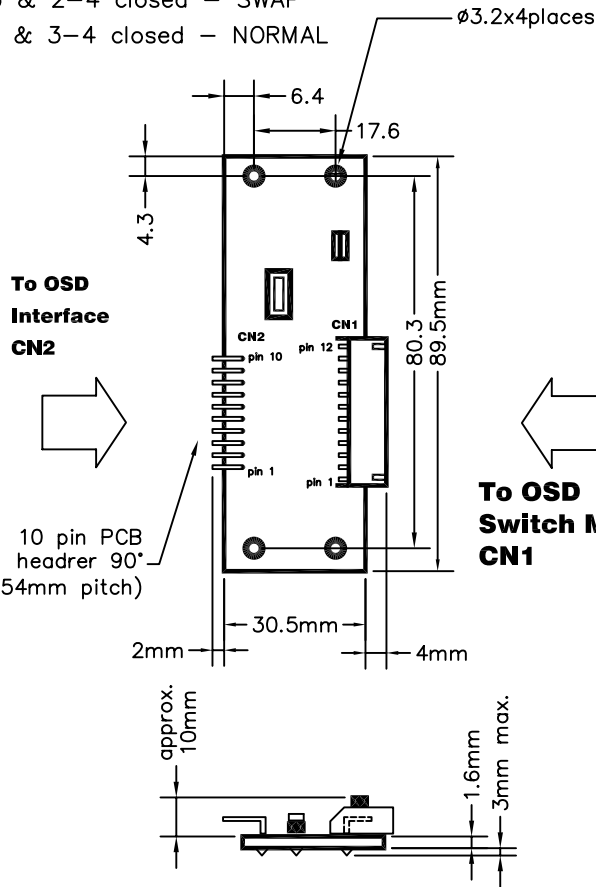
1-2 & 3-4 closed - NORMAL

PCB OSD Control Board CN1 Pin Assignment	
pin #	description
12	no connection
11	OSD Select UP
10	OSD Select Down
9	OSD Plus/Right
8	OSD Minus/Left
7	OSD Menu
6	Ground
5	Backlight Brightness VR pin B
4	Backlight Brightness VR pin WIP
3	Backlight Brightness VR pin A
2	Power Switch B
1	Power Switch A

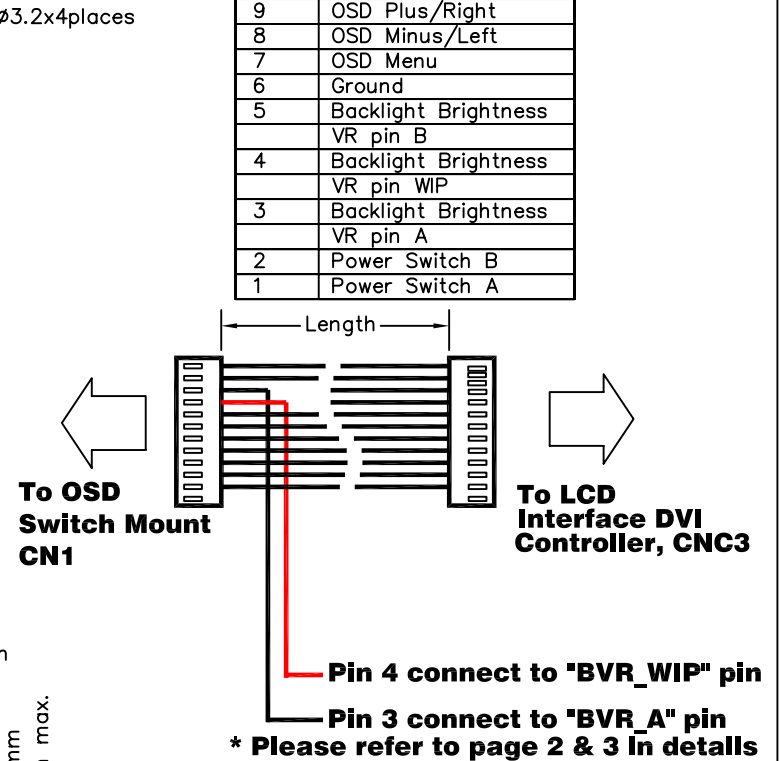


FRONT VIEW

Membrane Switch:
P/N:356301022



PCB OSD INTERFACE:
P/N:416100110



OSD cable:
P/N:426120900 (12/26 WAY), 200mm

DIGITALVIEW



Title:
OSD Control Assembly

NOTE:
All dimensions are in mm

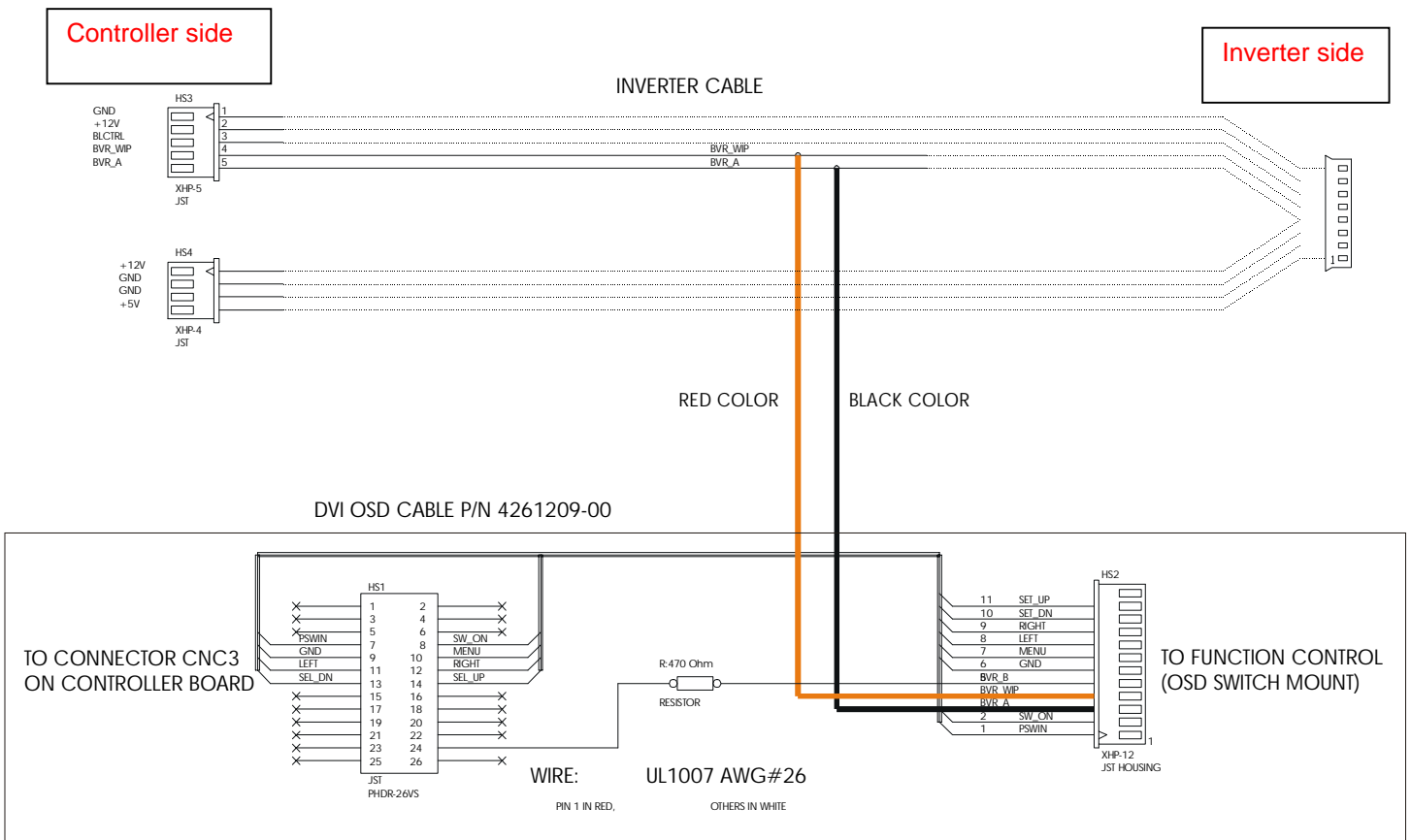
Date:
30.08.04

Kit 60134 OSD GUIDE

Modification of the inverter cable to control the backlight brightness for DVI-1280 and DVI-1600

CASE 1 : The inverter cable connector (HS3 & HS4) connects directly to the controller board connector CNA1 & CNB1 :

- Solder the red loose wire come from OSD cable P/N 4261209-00 to HS3 pin 4
- Solder the black loose wire come from OSD cable P/N 4261209-00 to HS3 pin 5



CASE 2 : Inverter cable connector (HS3 & HS4) connect to the inverter interface board P/N 4160400-10 connector (CNB2 & CNB3)

- Solder the red loose wire come from OSD cable P/N 4261209-00 to HS3 pin 7
- Solder the black loose wire come from OSD cable P/N 4261209-00 to HS3 pin 8

