

DIGITALVIEW®

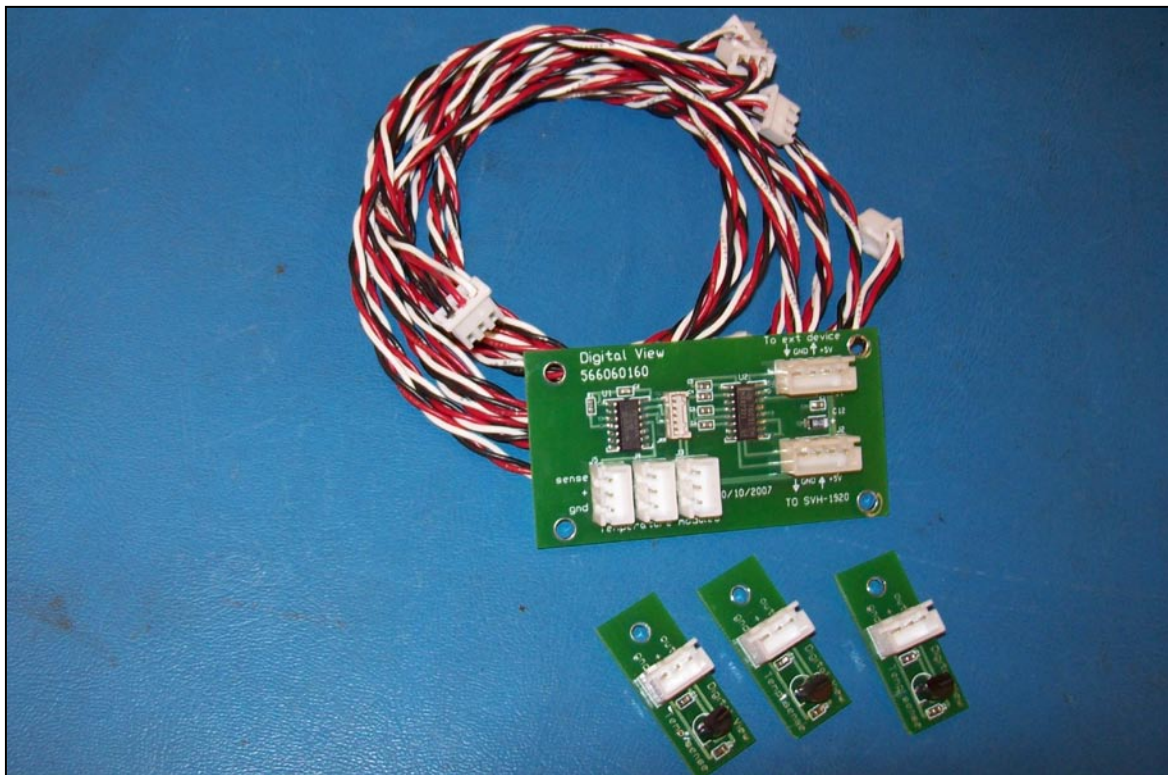


Temperature Monitor Kit

Kits 70211-3 or 70212-3 or 70213-3

Overview:

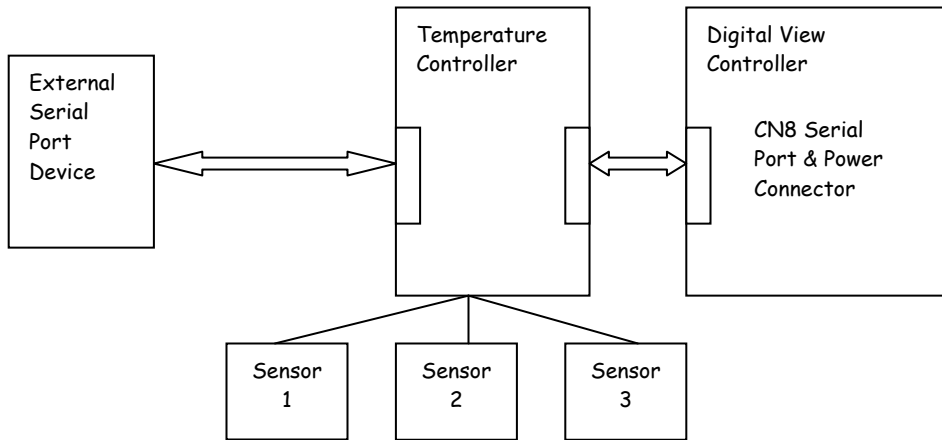
The Digital View Temperature Monitor is designed to be used in conjunction with any Digital View controller that provides serial port protocol to provide remote temperature reporting. Supported controllers include the ALR-1400, HE-1400, SP-1600, HE-1600, DVS-1600, SVH-1920 and AVP-1280. The initial product application is for placement within large format digital signage monitors to provide feedback on the operating temperature of various components within the product, but is easily adaptable for many related applications.



Function:

The temperature monitor kit consists of the controller and three sensor modules, each with a 4' connecting cable. Each of the three sensors are individually addressable using reserved codes in the proprietary Digital View serial port protocol and each can respond with a local temperature report. The standard sensors are rated to operate at 0°C - 100°C (32°F to 212°F), and provide accuracy of approximately $\pm 2\%$.

The temperature controller sits in series with the controller serial port and intercepts the unique interrogation commands allocated for it in the protocol. The temperature will reply independently to these



commands, but transparently pass all other commands in both directions, thus rendering it invisible to other serial port applications.

. The protocol for the controller is as follows:

Query for sensor 1 is (Hex) E4 30 31 3F

Response from sensor 1 is E4 30 31 3F E4 30 31 "x" "y" "z"

Where "x" "y" "z" are 1, 2 or 3 digits indicating the temperature in Fahrenheit
i.e. 5°F, 25°F or 125°F

Query for sensor 2 (Hex) E4 30 32 3F

Query for sensor 3 (Hex) E4 30 33 3F

Kits:

The temperature monitor kit can be ordered in three versions:

Kit 70211-3	with one sensor/one sensor cable
Kit 70212-3	with two sensors/two sensor cables
Kit 70213-3	with three sensors/three sensor cables

Note: Unused sensor ports on the controller require a shorting jumper (included in kits)

Cables:

Kits include the following cables:

426004900-3	36" Temperature Controller to sensor
426005000-3	18" Temperature Controller to Display Controller
426005100-3	24" Temperature Controller to DB9 Serial port

PCB:

416003100-3	Temperature sensor controller
416003200-3	Temperature sensor board.