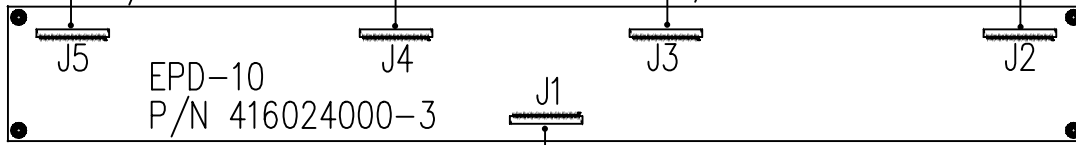


FFC CABLE, 150mm
P/N 426160610-3

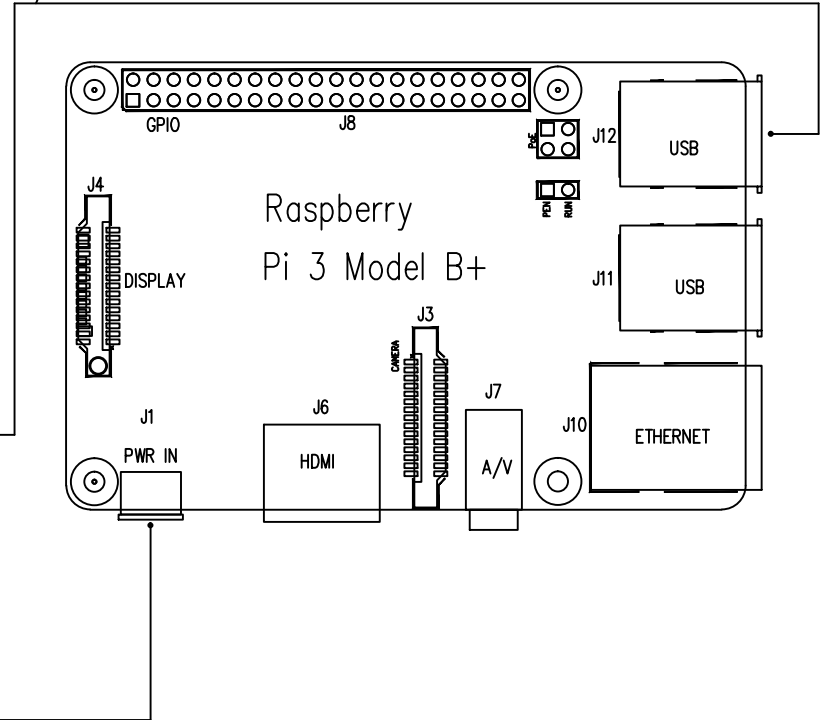
FFC CABLE, 150mm
P/N 426160610-3

FFC CABLE, 150mm
P/N 426160610-3

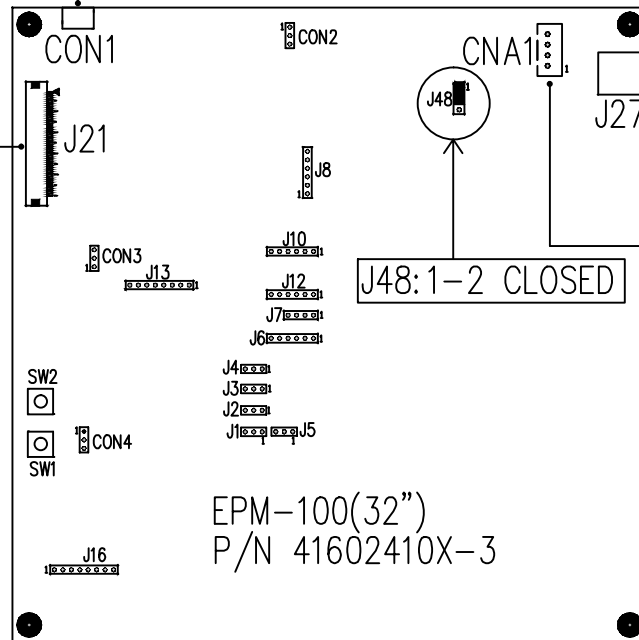
FFC CABLE, 150mm
P/N 426160610-3



USB CABLE, 1000mm
P/N 420003200-3



FFC CABLE, 150mm
P/N 426160610-3



+12V
POWER

USB POWER CABLE, 600mm
P/N 426321400-3

- Connect all cables with correct part numbers as shown.
- The panel will be damaged if incorrect jumpers, firmware version, VCOM, waveform.
- Ensure both jumpers and mini-dip switch settings are set as shown.



CONNECTION DIAGRAM:
EPM-100 & EPD-10 FOR E INK ED312TT2 32" PANEL

VERSIONS: X = 0 or up	Title EPM-100 & EPD-10 FOR E INK ED312TT2 32" PANEL	REV 00
	DIGITAL VIEW LTD. COPYRIGHT 2021, ALL RIGHTS RESERVED	
Date: 8 DEC 2021	Sheet	1 of 1