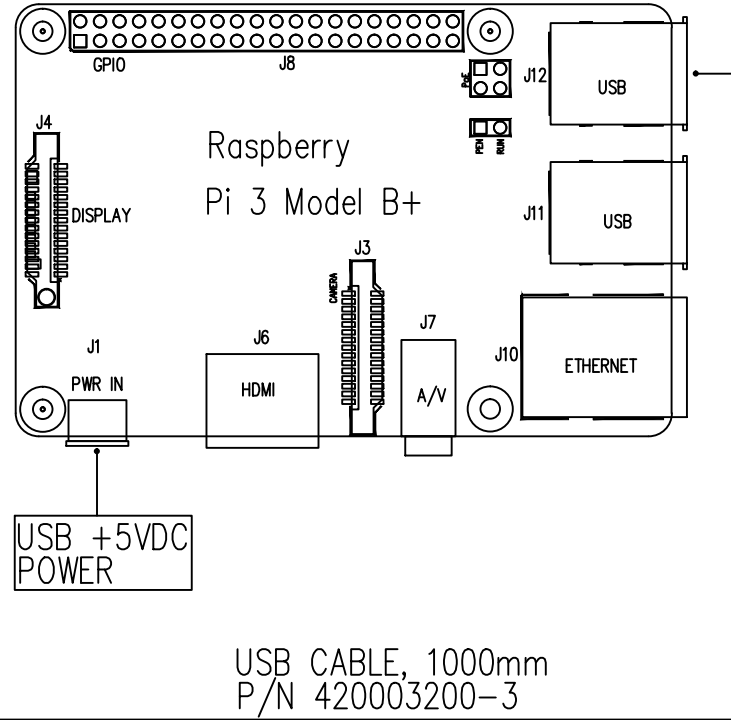
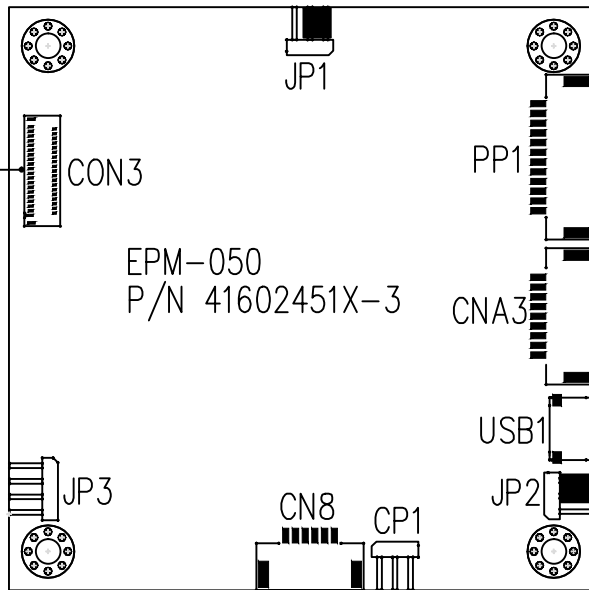


E INK 13.3" PANEL
ED133UT3
1600x1200



- Connect all cables with correct part numbers as shown.
- The panel will be damaged if incorrect jumpers, firmware version, VCOM, waveform.
- Ensure both jumpers and mini-dip switch settings are set as shown.

CONNECTION DIAGRAM:
EPM-050 FOR E INK ED133UT3 13.3" PANEL

DIGITALVIEW®

Title		EPM-050 FOR E INK ED133UT3 13.3" PANEL	
VERSIONS:		DIGITAL VIEW LTD. COPYRIGHT 2021, ALL RIGHTS RESERVED	
X= 0 or up		Date: 8 DEC 2021	REV 00
		Sheet	1 of 1