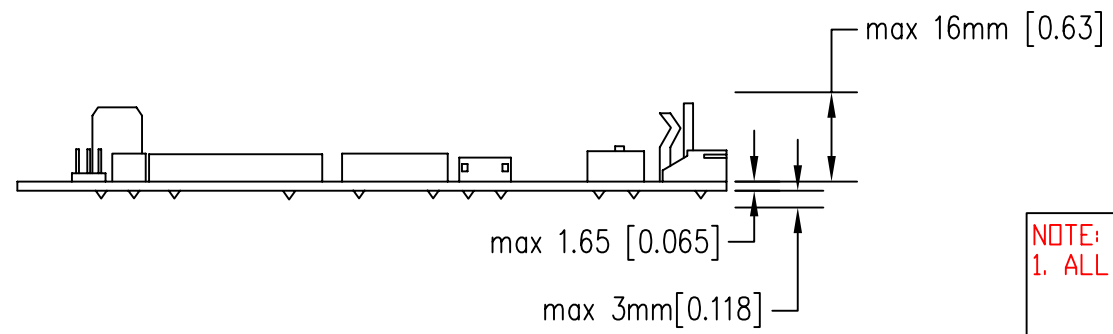
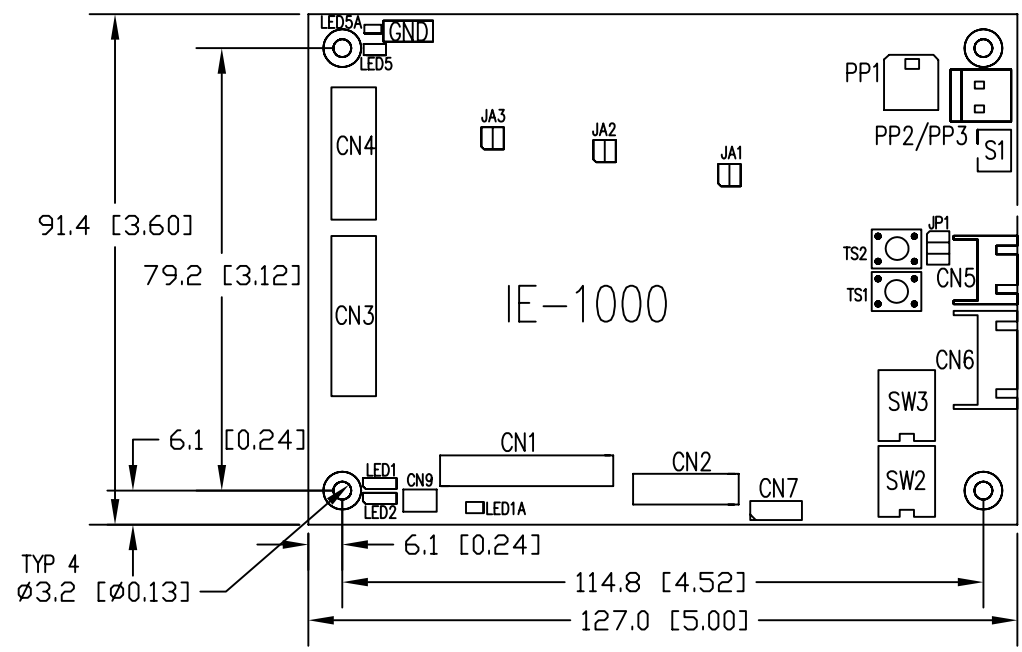


REVISION			
REV.	DESCRIPTION	APPR.	DATE
1	IE-1000		16 JAN 09



NOTE:  
 1. ALL DIMENSIONS ARE : mm [Inch]

		<b>TITLE</b> IE-1000 P/N 41719002X-3			
<b>MATERIAL</b> .		<b>FINISH</b> .		<b>DO NOT SCALE DRAWING</b>	
<b>DESIGN</b>	<b>DRAW</b>	<b>CHECK</b>	<b>APPROVE</b>	<b>SCALE</b> 1:1	<b>FILE</b> 417190020-3
	<b>BARRY</b>		<b>JOHNNY</b>	<b>SHEET SIZE</b> A4	<b>DWG. NO.</b> 417190020-3
	<b>16 JAN 09</b>		<b>20 JAN 09</b>	<b>SHEET</b> 1 OF 1	<b>PART NO.</b> 417190020-3

THE INFORMATION CONTAINED IN THIS DRAWING IS THE SOLE PROPERTY OF DIGITAL VIEW LIMITED ANY REPRODUCTION IN PART OR WHOLE WITHOUT THE WRITTEN PERMISSION OF DIGITAL VIEW LIMITED IS PROHIBITED.

TOLERANCES ARE: ±1

REV.  
 0