

Application Note

Barcode Scanner Support

(M3-310 OEM Media Player)

Version 1.2.1

Table of Contents

1	Introduction	3
2	What you need	3
3	Setup	4
	3.1 Barcode scanner connection	4
	3.2 Setup barcode table (Barcode.ini)	4

1 Introduction

This application note explains how to use a barcode scanner with the Digital View M3-310 OEM media player board. This also includes the following VideoFlyer™ models:

VF-100W – VideoFlyer™ 10.2 inch widescreen
VF-150 – VideoFlyer™ 15 inch (4:3)
VF-150W – VideoFlyer™ 15.6 inch widescreen
VF-215W – VideoFlyer™ 21.5 inch widescreen

2 What you need

Before you set up Barcode scanner support on the M3-310, please make sure you have the following:

- Barcode scanner with RS-232 interface
- RS-232 extend cable (P/N:426170810-3)
- M3-310 (or VideoFlyer™)
- Power supply (DC12V)
- DV Studio Software and Manual*

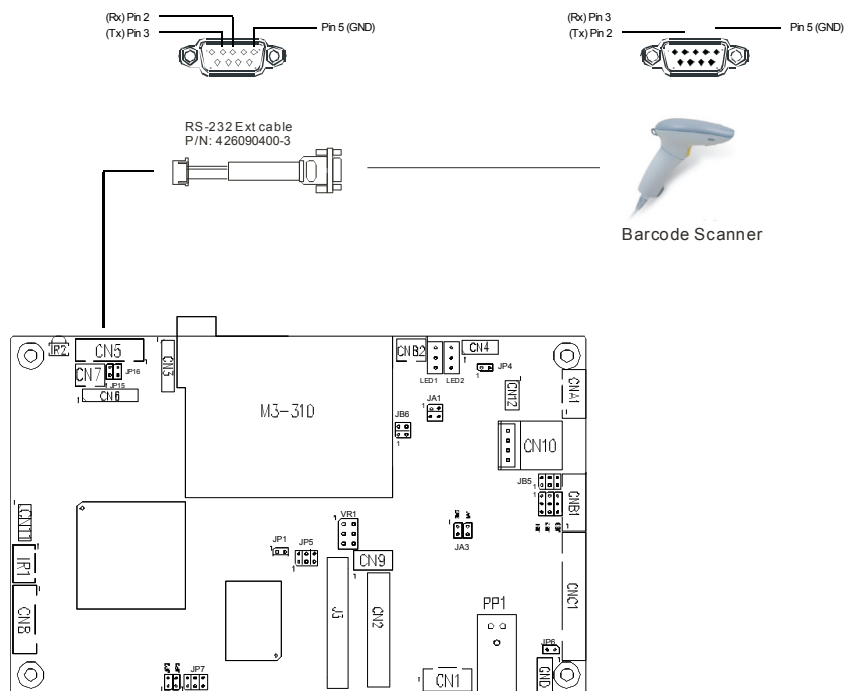
Note:

* DV Studio can be downloaded from <http://www.digitalview.com/products/software>

3 Setup

3.1 Barcode scanner connection

- Connect the barcode scanner to the RS-232 port on M3-310. (RS-232 Ext. cable is required)
- If the scanner requires an external power supply, make sure the proper power supply is well connected into the power socket of the scanner.



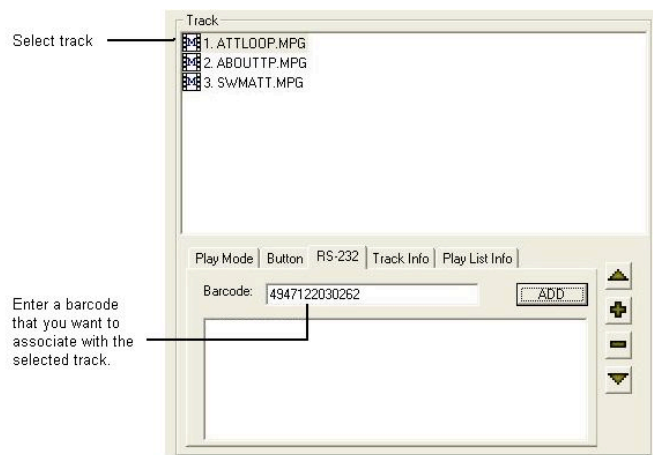
3.2 Setup barcode table (Barcode.ini)

To be able to use barcodes the media players need a lookup table. This section describes how to use DV Studio to create the barcode lookup table (Barcode.ini). The software requires DV Studio version 1.4.023.03 or later. The barcode function applies to the M3-310 with an RS-232 port.

In DV Studio, click the **RS-232** tab to open barcode input window.



Select a specific track, and then enter a barcode in the **Barcode** field. The code can be Alpha-numeric type, but the maximum character length cannot exceed 14 characters.



Add barcode item

Click **Add** to insert the barcode item in the table.



Delete barcode item

Select the barcode item that you want to delete. (Now the **Add** button will change to **Delete** button.)

Click **Delete/Remove** button to remove the barcode item.

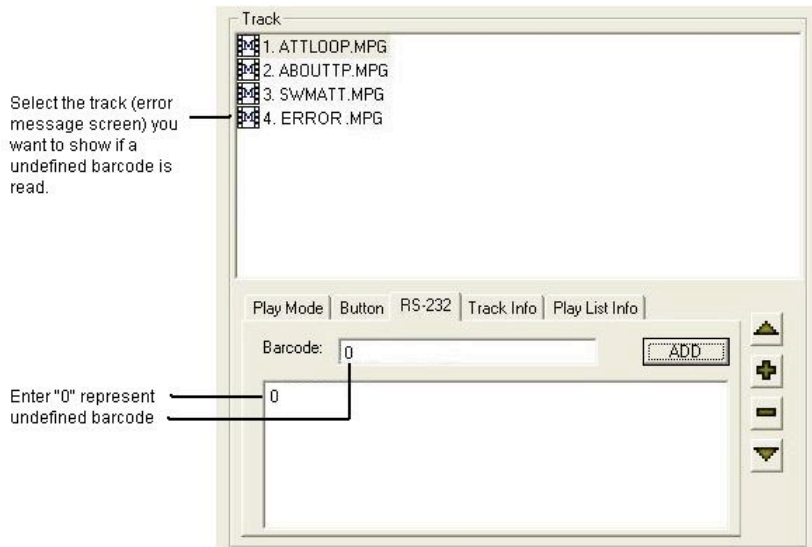


Barcode not found

If the scanned barcode was not found in the barcode table, you may want to define it to jump to an "Undefined Barcode Track"

Select the "Undefined Barcode Track" you want to show when the scanned barcode was not found. (e.g. ATTLOOP.MPG)

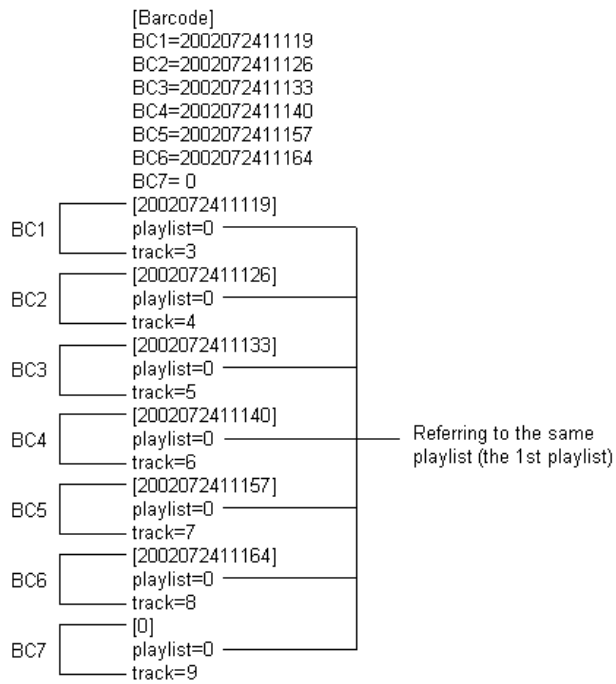
Enter "0" in the barcode field, then click **Add** to insert it in the table.



The above example will jump to the track (ATTLOOP.MPG) for any barcodes that were not found in the barcode table.

Barcode.ini

After you have defined all barcodes and tracks in DV Studio, a **Barcode.ini** file will be created. This is an editable text file and it is possible to modify for adding or deleting any barcode item later.



CONTACT DETAILS

USA: Digital View Inc.
18440 Technology Drive
Building 130
Morgan Hill, CA 95037
USA

Tel: (1) 408-782 7773

Sales: ussales@digitalview.com

Fax: (1) 408-782 7883

EUROPE: Digital View Ltd
6 Marylebone Passage
London
W1W 8EX
UK

Tel: (44) (0)20 7631 2150

Sales: uksales@digitalview.com

Fax: (44) (0)20 7631 2156

ASIA: Digital View Ltd
16th floor Millennium City 3
370 Kwun Tong Road
Kwun Tong
Hong Kong

Tel: (852) 2861 3615

Sales: hksales@digitalview.com

Fax: (852) 2520 2987