

# **VIDEO FLYER 10"**

(VF-100W, VF-100W-OF)

## **USER GUIDE**

Version 1.2

**Revision History**

<b>Amendment Date</b>	<b>Version</b>
May 2008	V1.0
June 2008	V1.1
July 2008	V1.2

## **Table of Contents**

1	Introduction.....	3
2	System .....	4
3	Instructions .....	5
	3.1 Preparation .....	5
	3.2 Compact Flash.....	5
	3.3 Powering On .....	6
	3.4 Autoplay / Manual Playback at power startup .....	6
	3.5 Playback modes.....	6
4	Touch Screen Operation .....	8
	4.1 Touch segments .....	8
	4.2 Configuration mode .....	8
5	Dimensions.....	9
6	Specification .....	11

# 1 Introduction

The Digital View 10" VideoFlyer is a self-contained LCD display and digital media player for continuous (looped) play of video stored on a CF (Compact Flash) memory card. The unit comprises a widescreen 10" color TFT LCD, a built in speaker and optional touch screen. A range of other accessories and factory installed customization options are also available, these are not covered in this manual.

Please note that a certain level technical knowledge and experience is assumed, if you have difficulties please contact your sales representative or Digital View support, contact details are available on [www.digitalview.com/dv\\_contactus.php](http://www.digitalview.com/dv_contactus.php).

## **IMPORTANT USAGE NOTE**

This equipment is for use by system developers and integrators. The manufacturer accepts no liability for damage or injury caused by the use of this product. It is the responsibility of the developer, integrators or other users of this product to:

- Ensure that all necessary and appropriate safety measures are taken.
- Obtain suitable regulatory approvals as may be required.
- **Check power settings to all component parts before connection.**

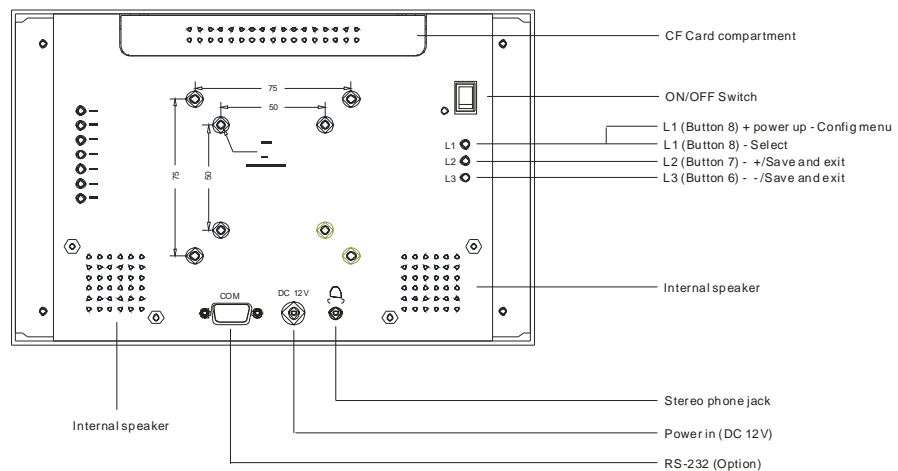
## **DISCLAIMER**

There is no implied or expressed warranty regarding this material.

# 2 System

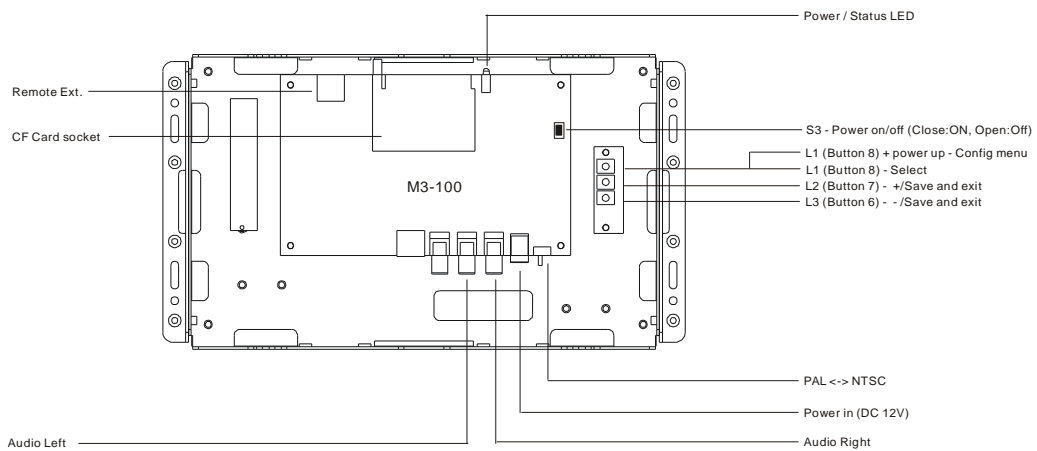
## 10" VideoFlyer (VF-100W)

A robust metal housing with powder coating:



## 10" VideoFlyer Openframe (VF-100W-OF)

Aluminum frame with mounting holes for mounting:



## 3 Instructions

**CAUTION:** Never connect or disconnect parts of the system when the system is powered up as this may cause serious damage.

### 3.1 Preparation

Digital View VideoFlyers are designed to be as plug and play as possible requiring the minimum of setup for use. The following describes the operation of the standard version, there are however a number of options available and these may affect the preparation required.

Main components:

- VideoFlyer unit
- AC power supply
- Compact Flash card – see following note

### 3.2 Compact Flash

The Digital View VideoFlyer uses standard Compact Flash cards to store the media (video, still images, audio) for playback. The following are key points to note:

- The format of the digital media stored on the Compact Flash needs to meet certain standards as per the specifications for this device as summarized in section 6.
- Media files can be stored on the Compact Flash in two ways:
  - Playlist mode: Using Digital View's DV Studio software which enables creation of a playlist with a number of options for controlling media playback.
  - Simple play mode: Using a PC copy function to transfer files onto the Compact Flash.

Additional notes regarding the playback modes are shown below.

### 3.3 Powering On

- Install the Compact Flash card, however to reduce the risk of errors it is advised to have the power off when removing or installing a Compact Flash card.
- Connect the provided external AC power supply unit.
- Power on the unit using the on/off switch, the power LED should come on.

See the following section for Power On options.

### 3.4 Autoplay / Manual Playback at power startup

The Digital View VideoFlyer supports AutoPlay or manual playback modes at power startup

*AutoPlay:* This is the default mode for the unit. This means that upon power-on video will start playing in accordance with a playlist (if DV Studio was used to transfer the media files to the Compact Flash card) or in alpha-numeric order (if the media files were simply copied to the Compact Flash card).

*Manual Playback:* Only available as a setting in DV Studio. In Manual Playback mode, after power up press any button and the first track in the Playlist set in DV Studio will play.

### 3.5 Playback modes

*Playlist mode, i.e. using DV Studio:*

- When operating in playlist mode, both project file (\*.prj) and playlist file (\*.pll) must be present on the Compact Flash card. These are used to control the sequence for all video tracks. If playback does not run as expected please check that these files are present on the Compact Flash card.
- The project and playlist file are created using DV Studio software. Using this software, you can set simple sequences or complex sequences including "jump track" or "next track" actions. The software can also program buttons with different functions like "play", "stop", "pause", "mute", "previous", "next" and "volume".

*Simple play mode, i.e. files copied to Compact Flash without using DV Studio:*

- In simple play mode, the user just copies all video files (.mpg) or JPEG files (.jpg) onto the Compact Flash card. The VideoFlyer will play these files in alphabetical sequence.
- For JPEG files, the play time is determined by the last digit of the filename. (For example: APPLE5.mpg, where "5" means the track will be displayed for 5 seconds.) *Note: Do not use the same filename on both MPEG and JPEG.*

Note: Make sure all capital letters in a filename defined in playlist are consistent with the filename on CompactFlash card. All filenames should be in 8+3 format (i.e. xxxxxxxx.xxx) and avoid using any characters like "~", "\_", "-", etc.

# 4 Touch Screen Operation

(only applicable in touch screen option)

## 4.1 Touch segments

The VideoFlyer's button control can be performed via touch screen for panel sizes of 10" (Fig. 1)

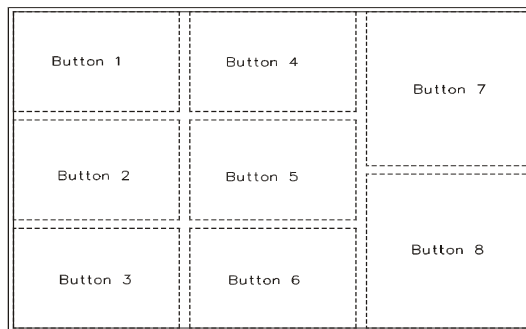


Fig.1 8-buttons for LCD screen sizes 10"

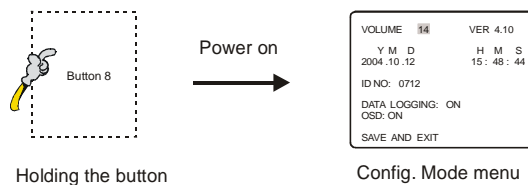
### Button function settings

Each button function can be programmed with the DV Studio software to perform a DVD type player mode function or specific track select function.

The DV Studio software is available separately.

## 4.2 Configuration mode

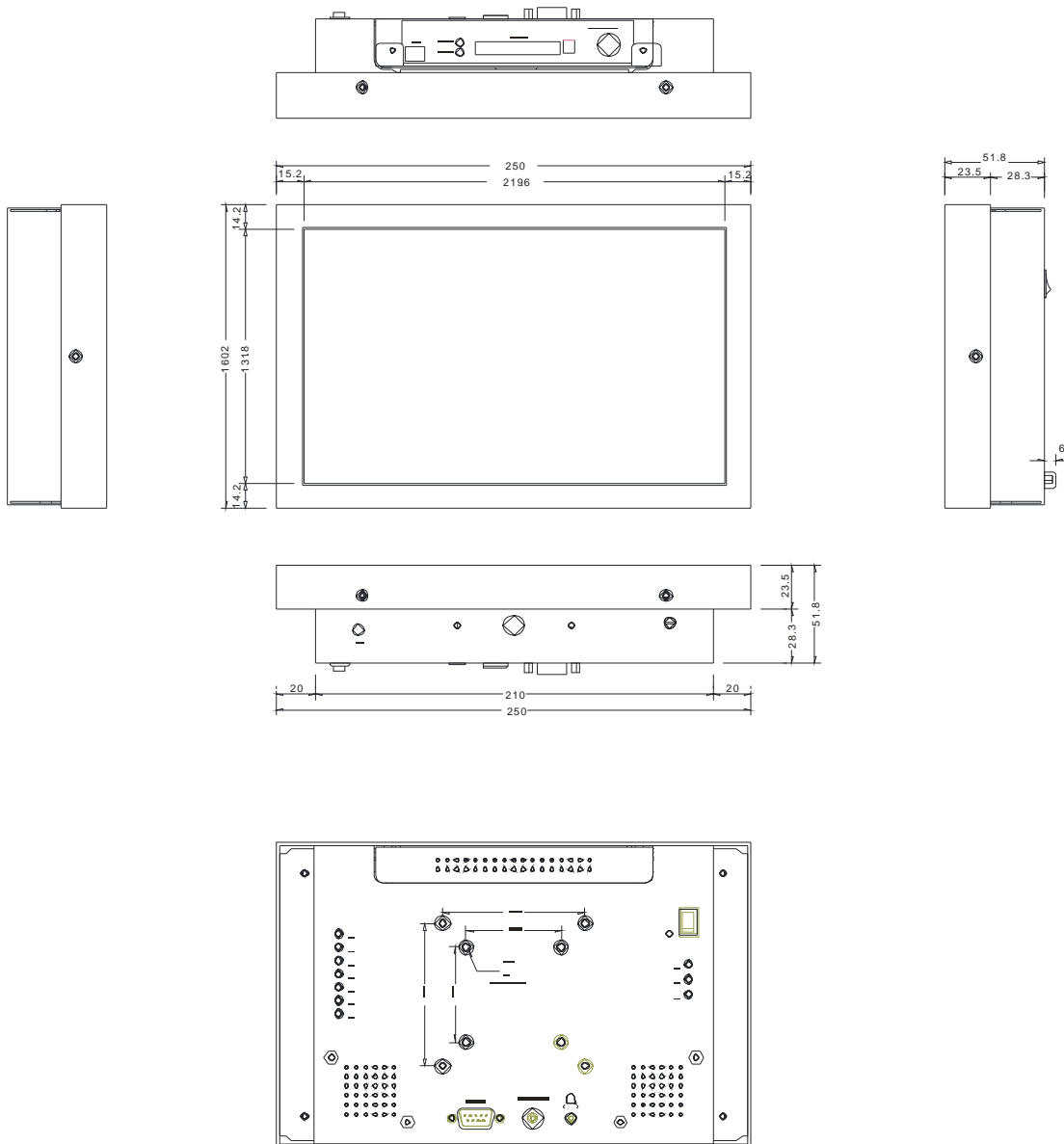
To enter the Config. Mode, holding the button 8 and power up.



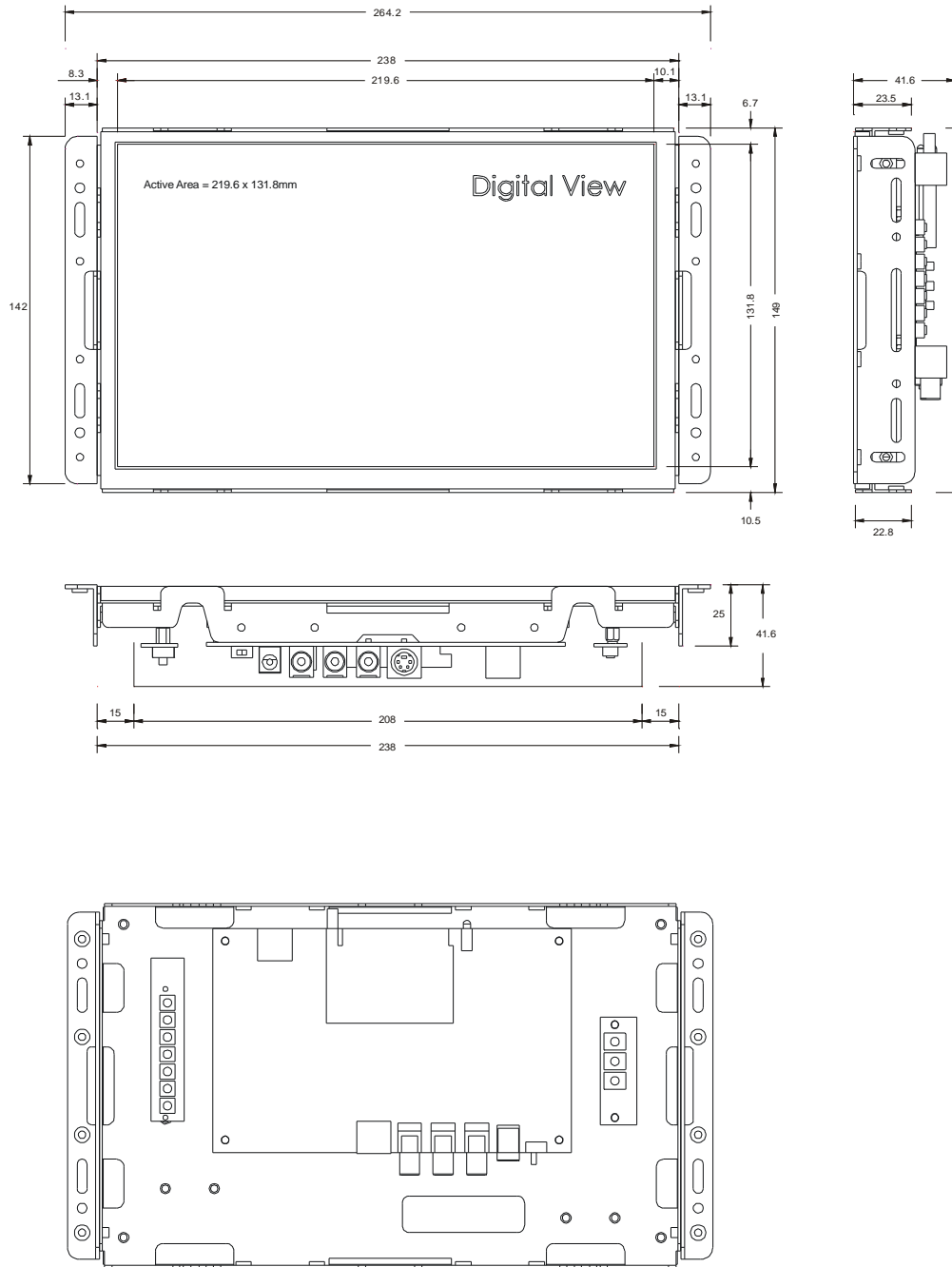
The volume setting can be adjusted when the config. mode is enabled.

- Press button 8 + power up : Config. mode enable.
- Press button 8 : Select
- Press button 7 : Increase / Save and Exit
- Press button 6 : Decrease / Save and Exit

# 5 Dimensions



VideoFlyer 10'' (VF-100W)



**Video Flyer 10" Openframe (VF-100W-OF)**

# 6 Specification

Playback video format	1. MPEG-1 video (Video-CD), MPEG-2 video (DVD), MPEG-4 (DivX, XivD) 2. MPEG still picture, MP3 audio, JPEG picture
Video storage	CompactFlash memory cards
LCD display	Color TFT
Screen size	10" (Diagonal)
Screen active area	219.6(H) x 131.7(V) mm
Panel resolution	800(H) x 480(V)
Brightness	300 cd/m <sup>2</sup>
Contrast ratio	400 : 1
Viewing angle	45/65/65/65 (Top/Bottom/Left/Right)
Resolution	Low resolution : 352x288 pixels (PAL) : 352x240 pixels (NTSC) High resolution : 720x576 pixels (PAL) : 720x480 pixels (NTSC) Still picture : 704x576 pixels (PAL) : 704x480 pixels (NTSC)
Audio output	Internal speakers x 2 (2W) [for VF-100W] Stereo phone jack [for VF-100W] RCA audio jack (L/R) [for VF-100W-OF]
Playback Functions	Standard playback : Play, Stop, Pause, Repeat, Previous, Next Track, Volume  Programmable playback : Loop, Auto and Program mode
Power input	DC 12V
Dimensions	250(W) x 51.8(D) x 160.2(H) mm [for VF-100W] 264.2(W) x 41.6(D) x 142(H) mm [for VF-100W-OF]
Weight	2.5kg [for VF-100W] 700g [for VF-100W-OF]
Environmental	Operating temperature : 0°C to 50°C Relative humidity : 5%-95% relative humidity (Non-condensing)

---

## WARRANTY

The products are warranted against defects in workmanship and material for a period of one (1) year from the date of purchase provided no modifications are made to it and it is operated under normal conditions and in compliance with the instruction manual.

The warranty does not apply to:

- Product that has been installed incorrectly, this specifically includes but is not limited to cases where electrical short circuit is caused.
- Product that has been altered or repaired except by the manufacturer (or with the manufacturer's consent).
- Product that has subjected to misuse, accidents, abuse, negligence or unusual stress whether physical or electrical.
- Ordinary wear and tear.

Except for the above express warranties, the manufacturer disclaims all warranties on products furnished hereunder, including all implied warranties of merchantability and fitness for a particular application or purpose. The stated express warranties are in lieu of all obligations or liabilities on the part of the manufacturer for damages, including but not limited to special, indirect consequential damages arising out of or in connection with the use of or performance of the products.

---

## CAUTION

Whilst care has been taken to provide as much detail as possible for use of this product it cannot be relied upon as an exhaustive source of information. This product is for use by suitably qualified persons who understand the nature of the work they are doing and are able to take suitable precautions and design and produce a product that is safe and meets regulatory requirements.

---

## SAFETY INSTRUCTION

Do not use this product near water, for example, near a bathtub, wash bowl, kitchen sink, laundry tub, in a wet basement or near a swimming pool.

---

## LIMITATION OF LIABILITY

The manufacturer's liability for damages to customer or others resulting from the use of any product supplied hereunder shall in no event exceed the purchase price of said product.

---

## TRADEMARKS

The following are trademarks of Digital View Ltd:  
Digital View  
Video Flyer

---

## **CONTACT DETAILS**

**ASIA:** Digital View Ltd  
16<sup>th</sup> Floor Millennium City 3  
370 Kwun Tong Road  
Kwun Tong  
Hong Kong

**Tel:** (852) 2861 3615  
**Sales:** [hksales@digitalview.com](mailto:hksales@digitalview.com)

**Fax:** (852) 2520 2987

**EUROPE:** Digital View Ltd  
6 Marylebone Passage  
London  
W1W 8EX  
UK

**Tel:** (44) (0)20 7631 2150  
**Sales:** [uksales@digitalview.com](mailto:uksales@digitalview.com)

**Fax:** (44) (0)20 7631 2156

**USA:** Digital View Inc.  
18440 Technology Drive  
Building 130  
Morgan Hill, CA 95037

**Tel:** (1) 408-782 7773  
**Sales:** [ussales@digitalview.com](mailto:ussales@digitalview.com)

**Fax:** (1) 408-782 7883