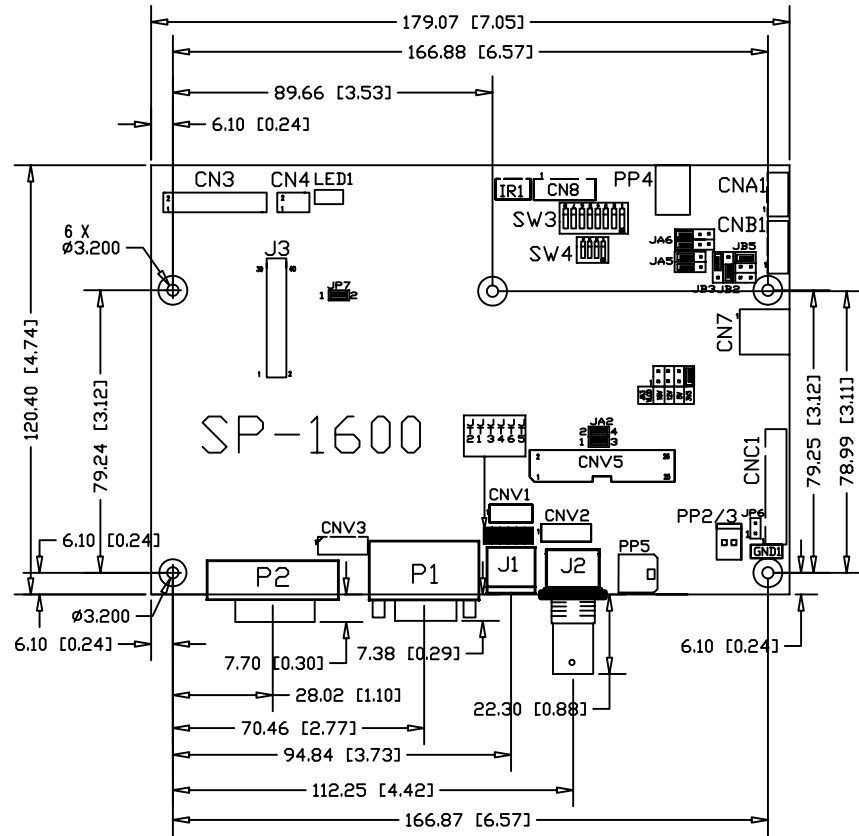
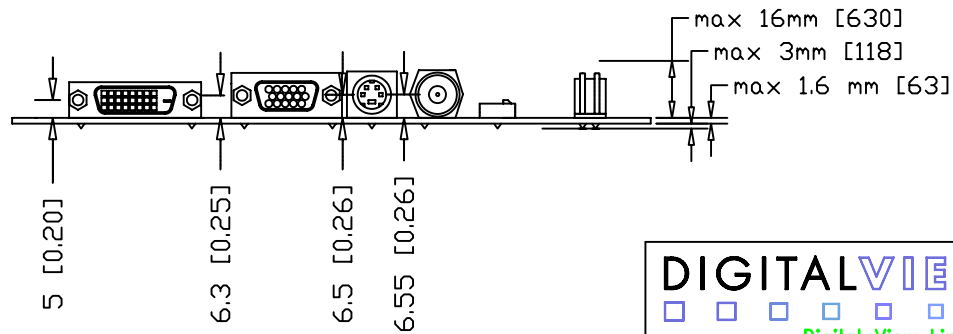


REVISION

REV.	DESCRIPTION	APPR.	DATE
1	SP-1600		21 MAY 08



SP-1600



NOTE:
1. ALL DIMENSIONS ARE : mm [Inch]

DIGITALVIEW™
Digital View Limited

TITLE SP-1600 P/N 416990030/4X-3

MATERIAL			FINISH		DO NOT SCALE DRAWING			
DESIGN	DRAW	CHECK	APPROVE	SCALE	1:1	FILE	416990030-3	REV.
	BARRY		JOHNNY	SHEET SIZE	A4	DWG. NO.	416990030-3	0
	21 MAY 08		21 MAY 08	SHEET	1 OF 1	PART NO.	416990030-3	

THE INFORMATION CONTAINED IN THIS DRAWING IS THE SOLE PROPERTY OF DIGITAL VIEW LIMITED ANY REPRODUCTION IN PART OR WHOLE WITHOUT THE WRITTEN PERMISSION OF DIGITAL VIEW LIMITED IS PROHIBITED.

TOLERANCES ARE: ±0.5