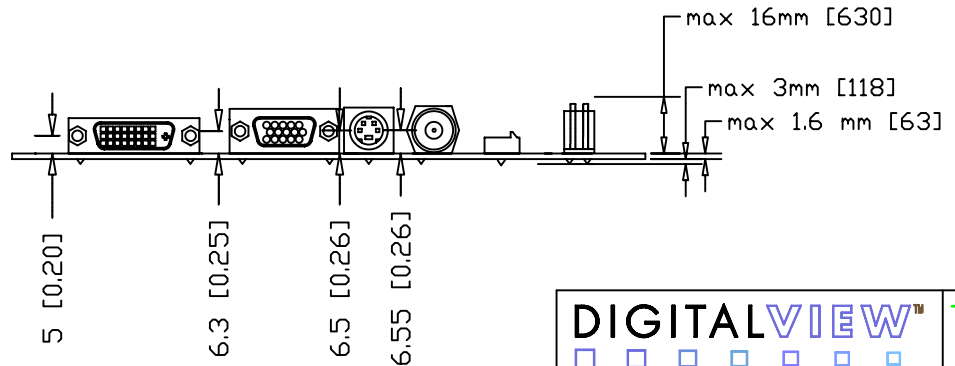
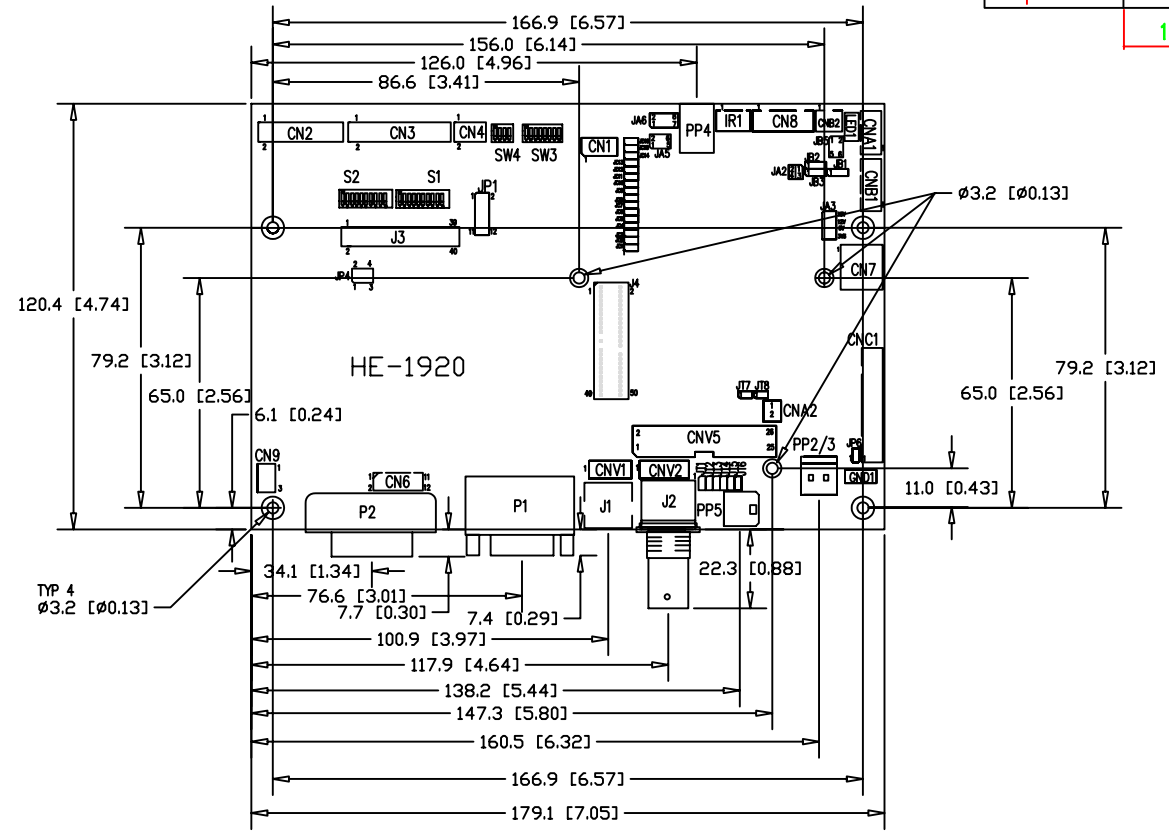


REVISION			
REV.	DESCRIPTION	APPR.	DATE
1	SVH-1920		22 Oct 08



NOTE:  
1. ALL DIMENSIONS ARE : mm [Inch]

 Digital View Limited	TITLE			HE-1920 P/N 41696015X-3		
	MATERIAL		FINISH		DO NOT SCALE DRAWING	

THE INFORMATION CONTAINED IN THIS DRAWING IS THE SOLE PROPERTY OF DIGITAL VIEW LIMITED ANY REPRODUCTION IN PART OR WHOLE WITHOUT THE WRITTEN PERMISSION OF DIGITAL VIEW LIMITED IS PROHIBITED.

TOLERANCES ARE: ±1

DESIGN	DRAW	CHECK	APPROVE	SCALE	1:1	FILE	41696015X-3	REV.
	BARRY		JOHNNY	SHEET SIZE	A4	DWG. NO.	41696015X-3	0
	22 OCT 08		22 OCT 08	SHEET	1 OF 1	PART NO.	41696015X-3	