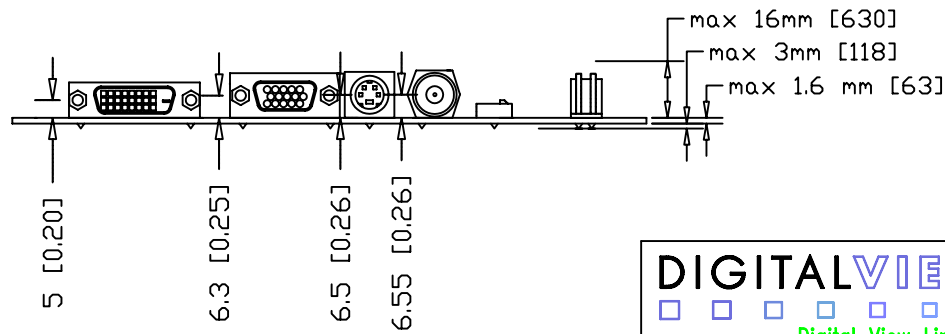
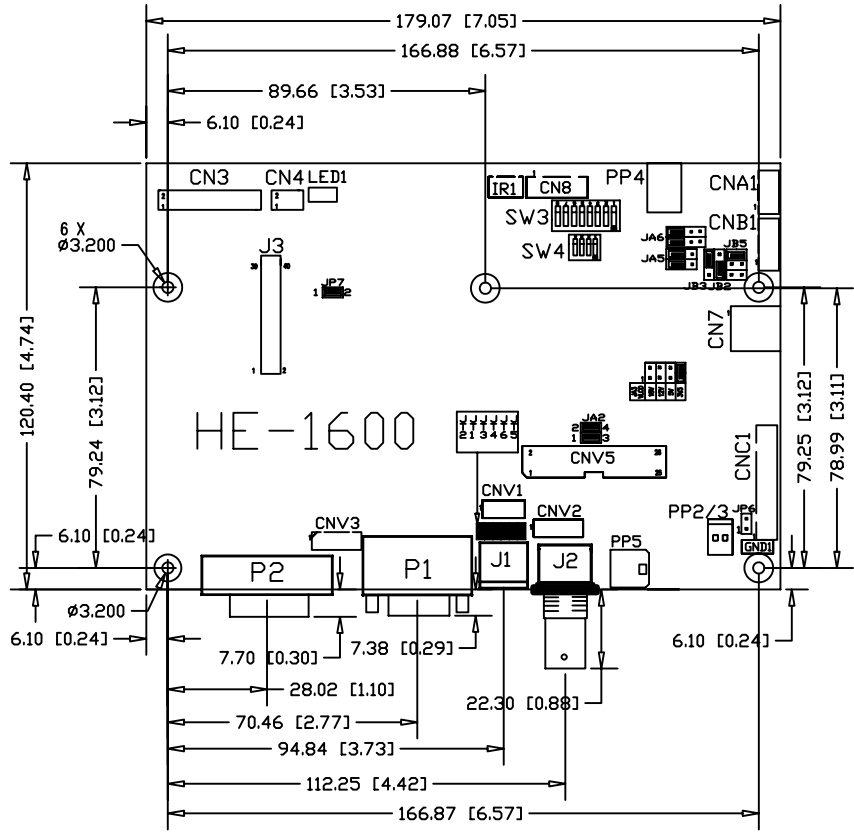


REVISION			
REV.	DESCRIPTION	APPR.	DATE
1	SP-1600		21 MAY 08



NOTE:
1. ALL DIMENSIONS ARE : mm [Inch]

		TITLE SP-1600 P/N 416990030/4X-3	
MATERIAL .		FINISH .	
DO NOT SCALE DRAWING		SCALE 1:1	
DESIGN	DRAW BARRY	CHECK	APPROVE JOHNNY
FILE 416990030-3		SHEET SIZE A4	
DWG. NO. 416990030-3		SHEET 1 OF 1	
REV. 0		PART NO. 416990030-3	
DATE 21 MAY 08		DATE 21 MAY 08	

THE INFORMATION CONTAINED IN THIS DRAWING IS THE SOLE PROPERTY OF DIGITAL VIEW LIMITED ANY REPRODUCTION IN PART OR WHOLE WITHOUT THE WRITTEN PERMISSION OF DIGITAL VIEW LIMITED IS PROHIBITED.

TOLERANCES ARE: ±0.5