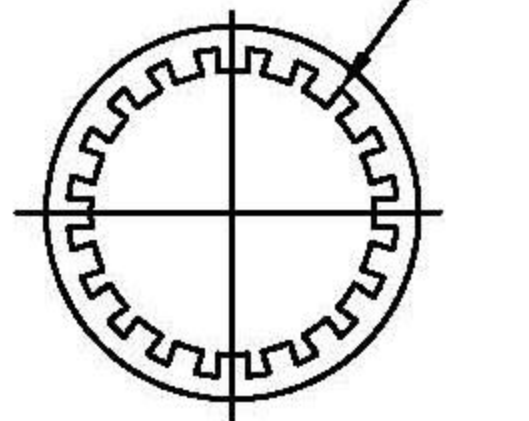
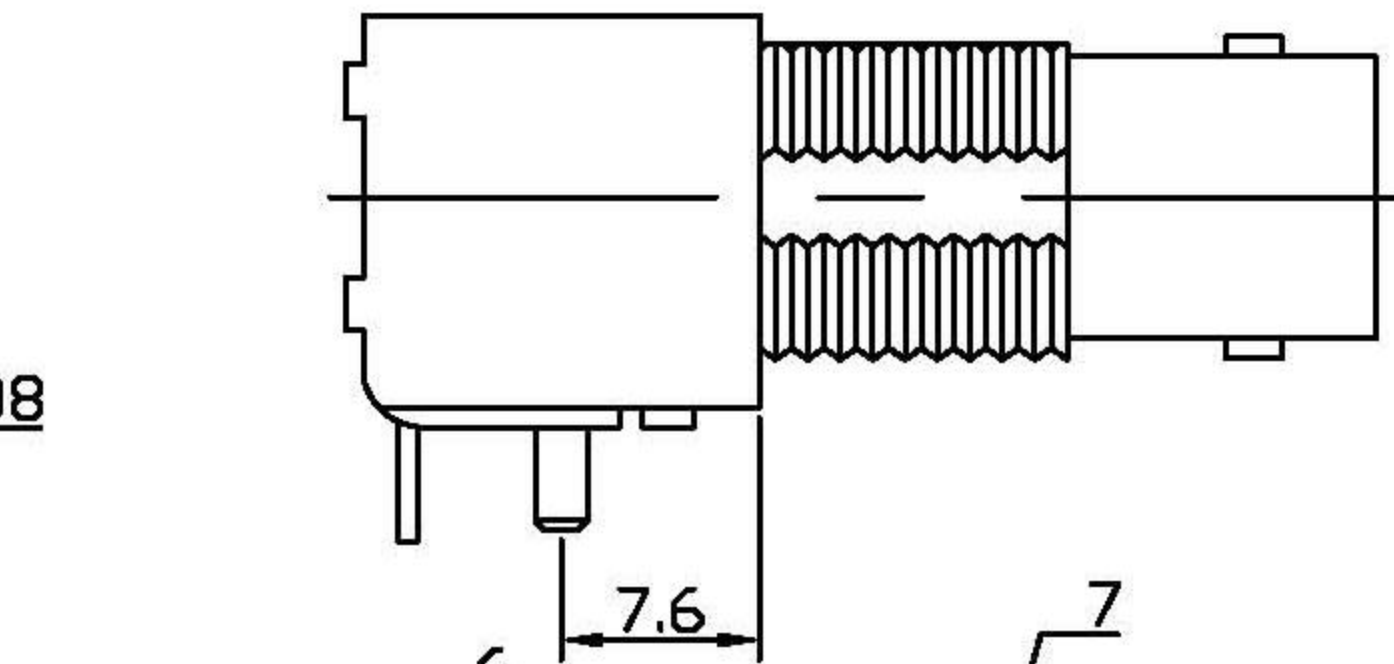


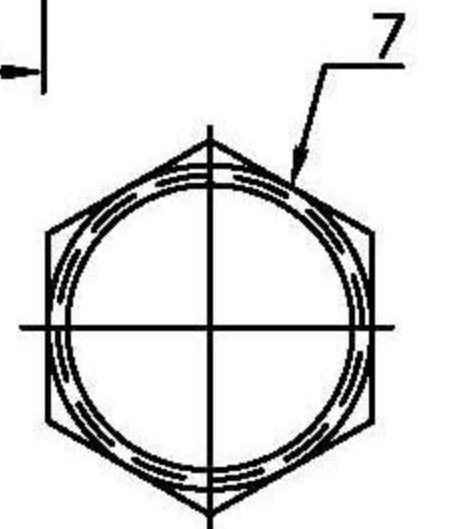
PCB HOLE CONFIGURATION
RECOMMENDED PANEL CUTOUTS

BNC-JR13WFM-xx-LF
50:50 ΩHM LEADFREE
75:75 ΩHM

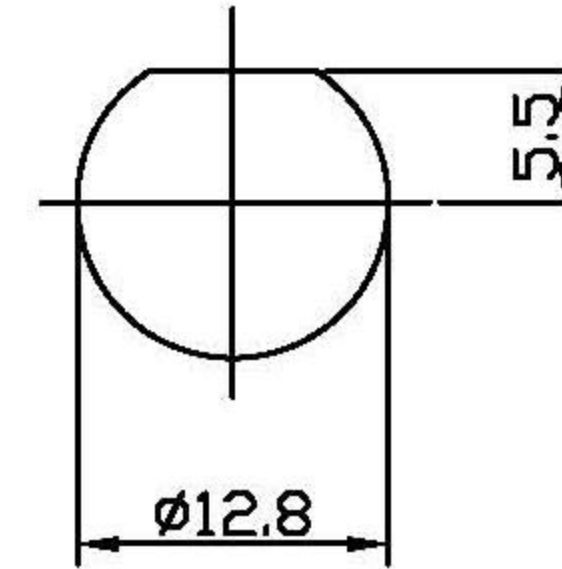
RoHS Compliant



LOCK WASHER



1/2-28UNEF-2B
CLAMP NUT



NO	DESCRIPTION	MATERIAL	FINISH	QTY
7	NUT	BRASS	NICKEL	1
6	WASHER	PHOSPHOR BRONZE	NICKEL	1
5	GROUND TAIL	BRASS WIRE	TIN LEAD	1
4	MOUNTING POST	BRASS	TIN LEAD	1
3	INSULATOR	PE-606	NONE	1
2	BODY	ZINC ALLOY	NICKEL	1
1	CENTER CONTACT	PHOSPHOR BRONZE	GOLD	1

PART NO. BNC-JR13WFM-xx		CHECKED BY CY		DIMENSIONS ARE IN MILLIMETERS UNLESS OTHERWISE SPECIFIED TOLERANCES 0.5-5 ±0.2 6-30 ±0.4 30-120 ±0.6 120-315 ±1 315-1000 ±1.6 1000-2000 ±2.4	DESCRIPTION: 50&75ΩBNC R/A PCB/PANEL MOUNT JACK, METAL BODY			
DWG NO. BNC-JR13WFM-xx		DRAWING BY			AREA	REVISIONS	HK	DATE
FILE NO.		PROJECTION						
UNIT / mm	SCALE 1:1							