



Connecting & Writing to an E Ink Panel

Using the Digital View driver and a Raspberry Pi

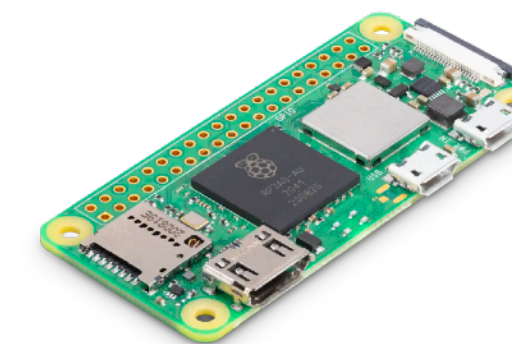
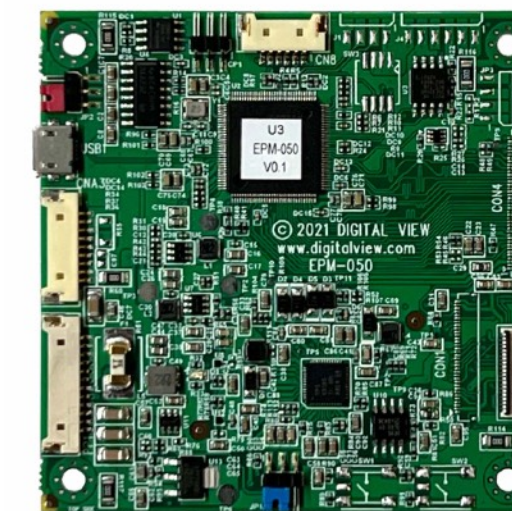
Digital View, Jan 2022
www.digitalview.com

You Will Need...

For the display system

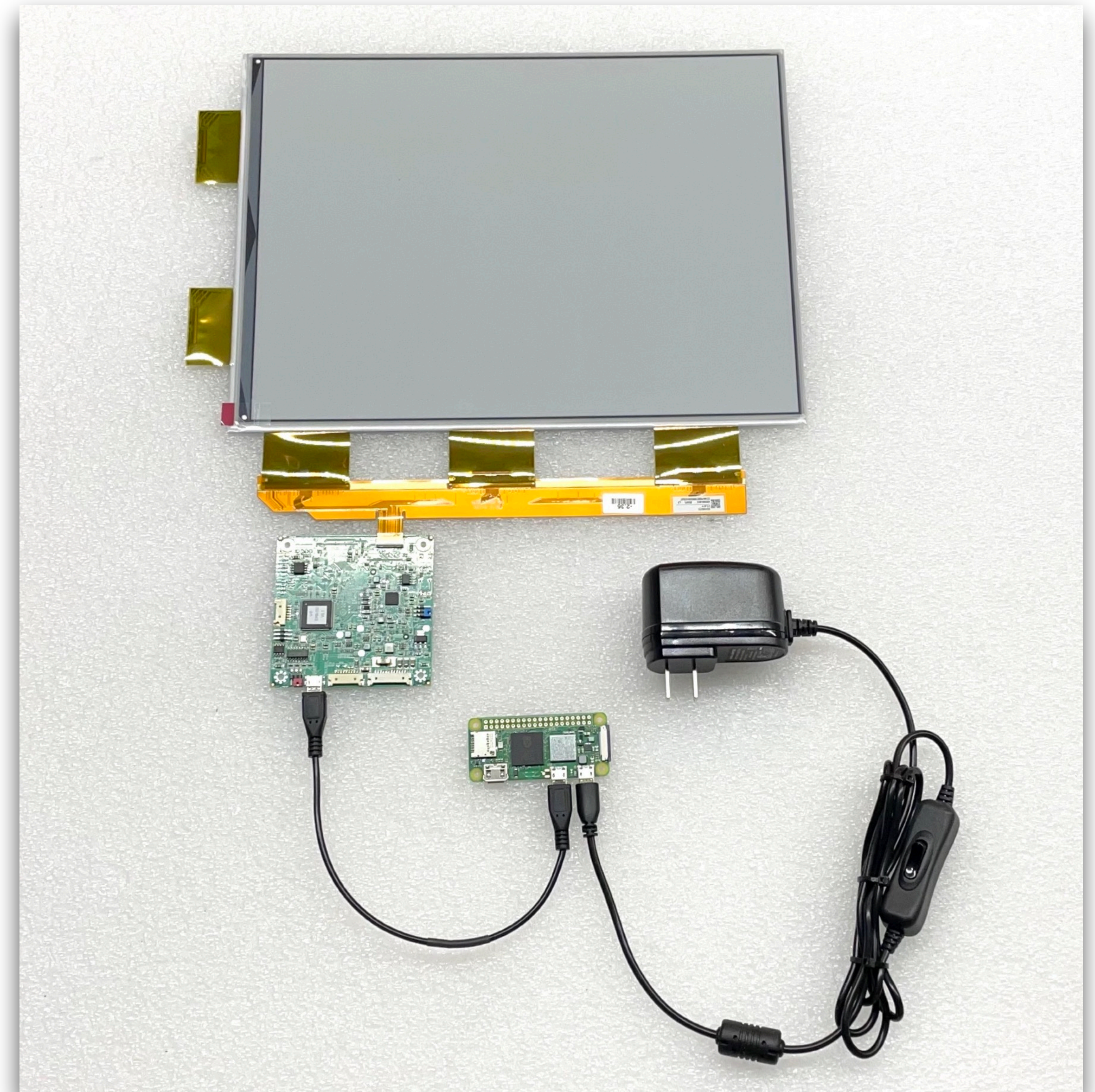
- E Ink panel, shown using ED133UT3
- Digital View driver board, shown using EPM-050
- Raspberry Pi, shown using Zero 2W
- Power supply to Pi (micro USB)
- Micro USB cable

* *Suitably updated & configured, see Setting up EPM-050.*



Connected Wi-Fi Update

This shows a minimal display system using a Raspberry Pi Zero 2W. Content update with this arrangement would be by Wi-Fi*



* There are various methods for setting up Wi-Fi on a Raspberry Pi, we will be offering a simple USB based solution in the near future but at this time the easiest way is to setup the Pi before connecting to the E Ink display.

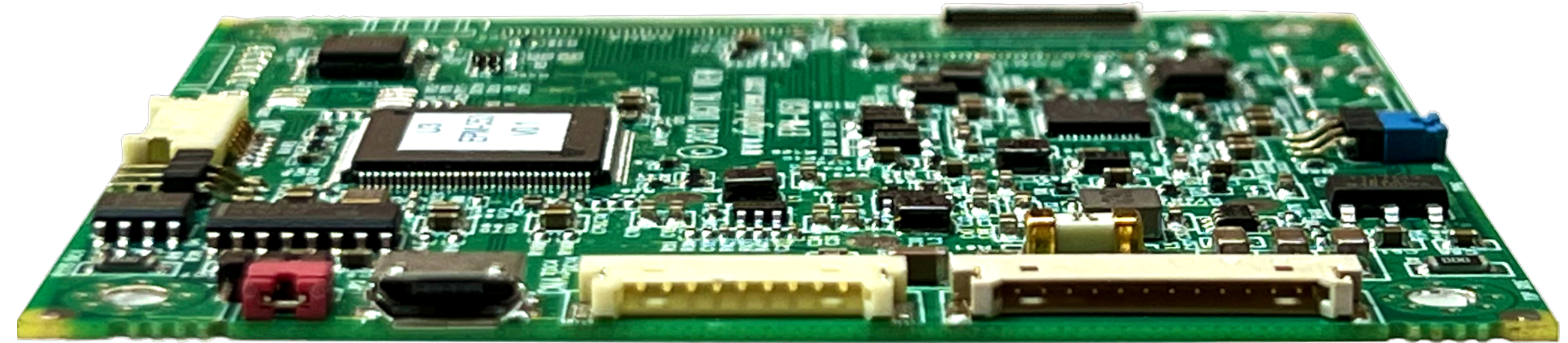
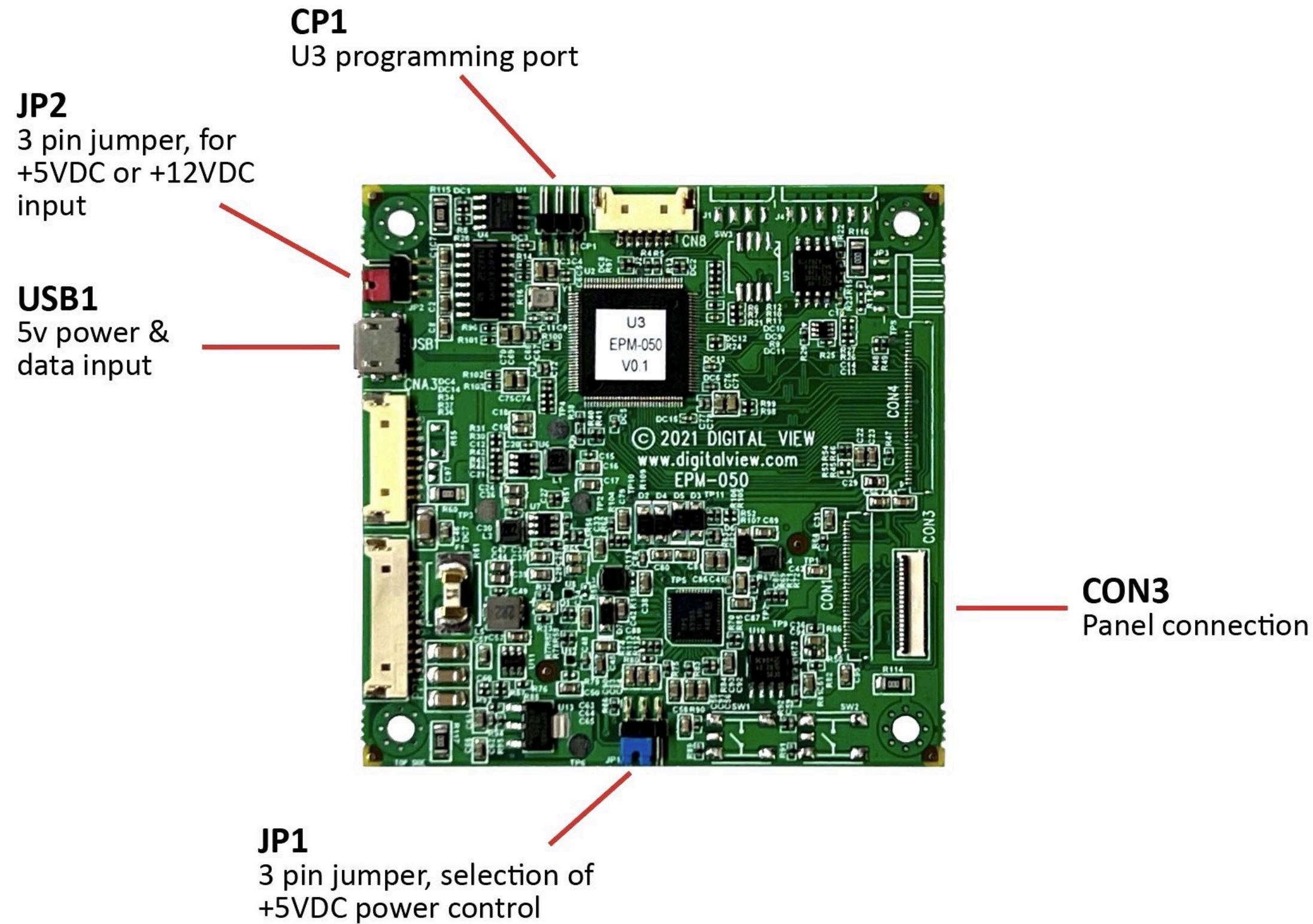
Connected (2)

With USB memory stick

This system is also using a Raspberry Pi Zero 2W with the addition of a USB hub to enable content update from a USB memory stick

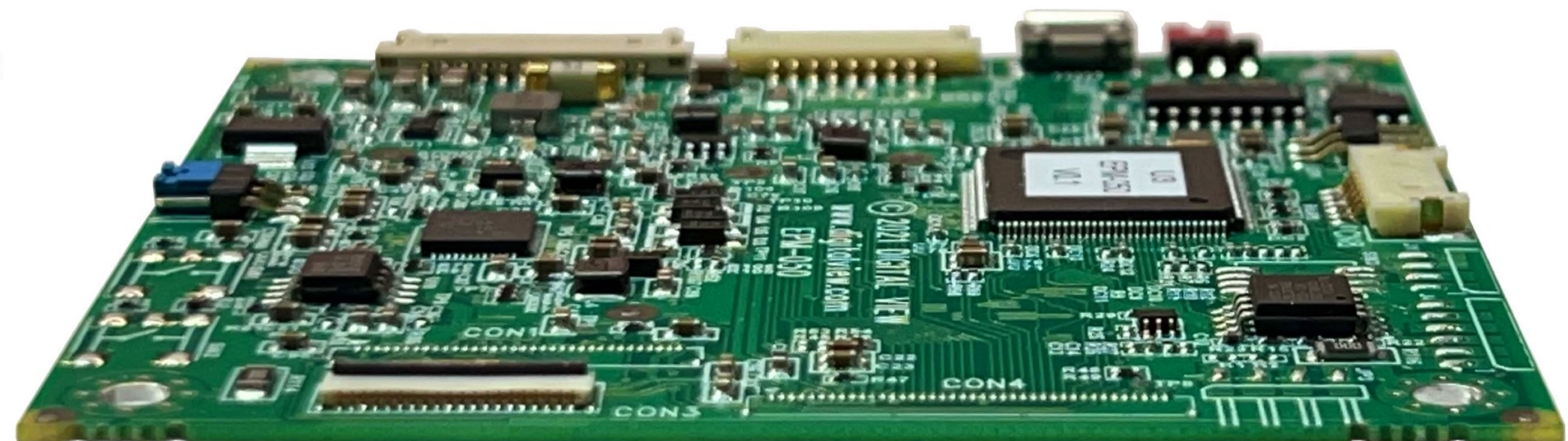


EPM-050



Micro USB

The EPM-050 is designed for E Ink 13.3" monochrome and Kaleido color panels; and is only 4mm thick



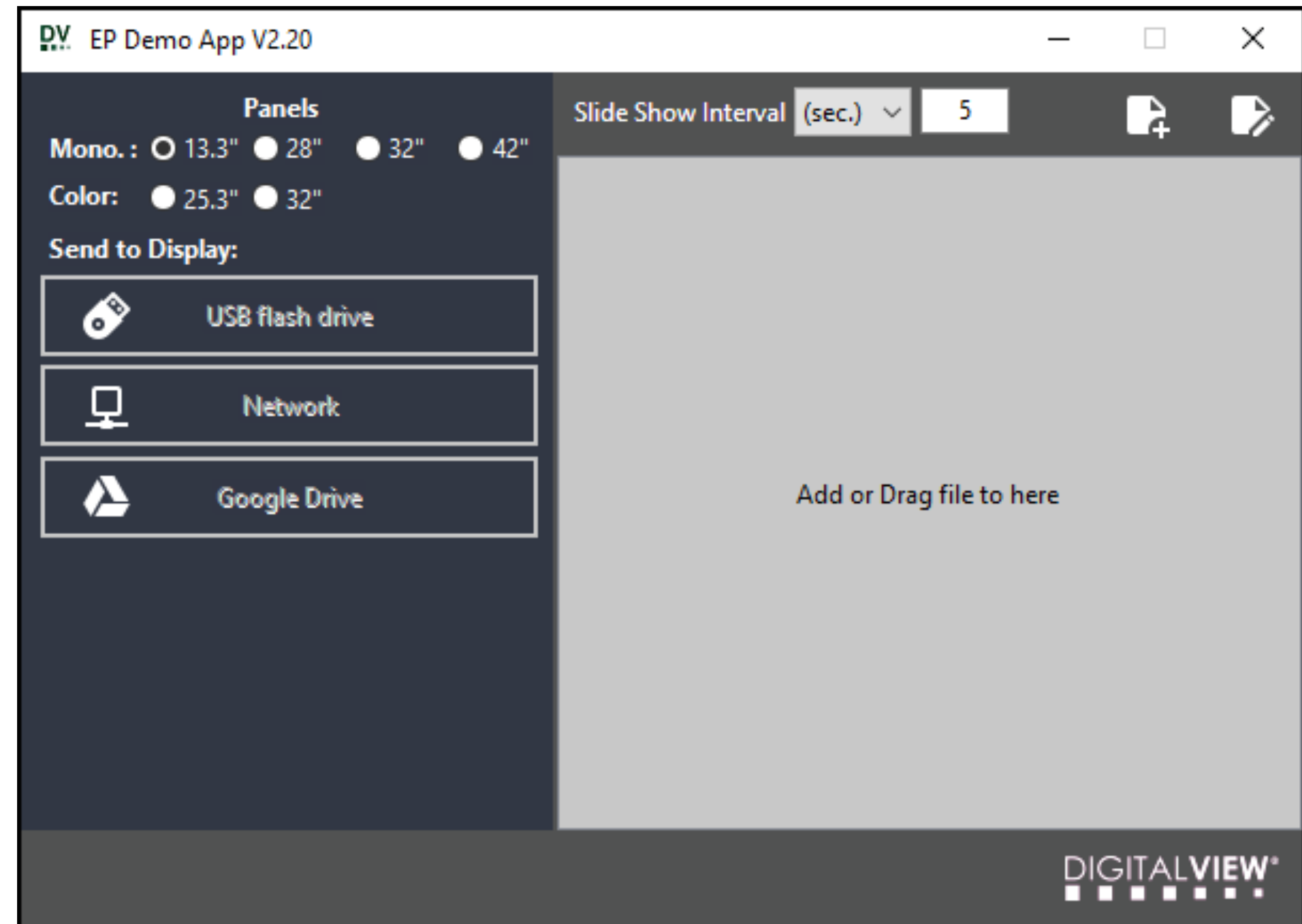
Panel Connector

*The EPM-050 web page is: <https://www.digitalview.com/controllers/epm-050-eink-interface.html>. For other E Ink panel sizes details are available on the website at: <https://www.digitalview.com/epaper/epaper-solutions-e-ink.html>

To Update Images...

You also need

- Windows PC / Laptop with:
 - USB memory stick; or
 - Wi-Fi; or
 - Google Drive & wi-fi
- Digital View EP Demo App*

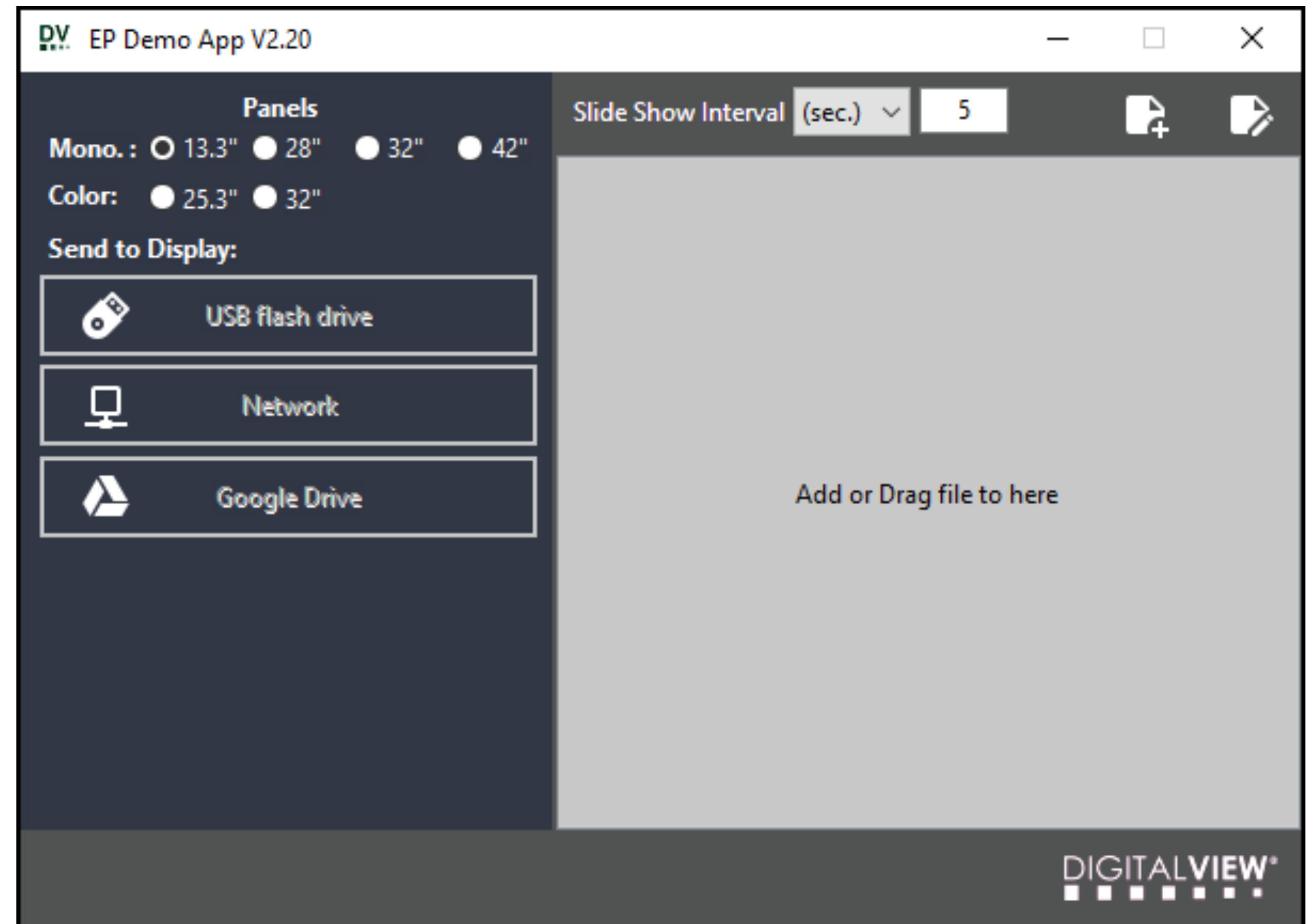


Digital View EP Demo App

Windows compatible

- Monochrome: 13.3" 28" 32" 42"
- Color: 25.3" 32"
- Update via:
 - USB
 - Network / Wi-Fi
 - Google Drive
- Content Creator
- Playlist
- Slide show interval for playlist
- Landscape / Portrait correction
- JPEG or BMP images

- Custom versions for tiled panels

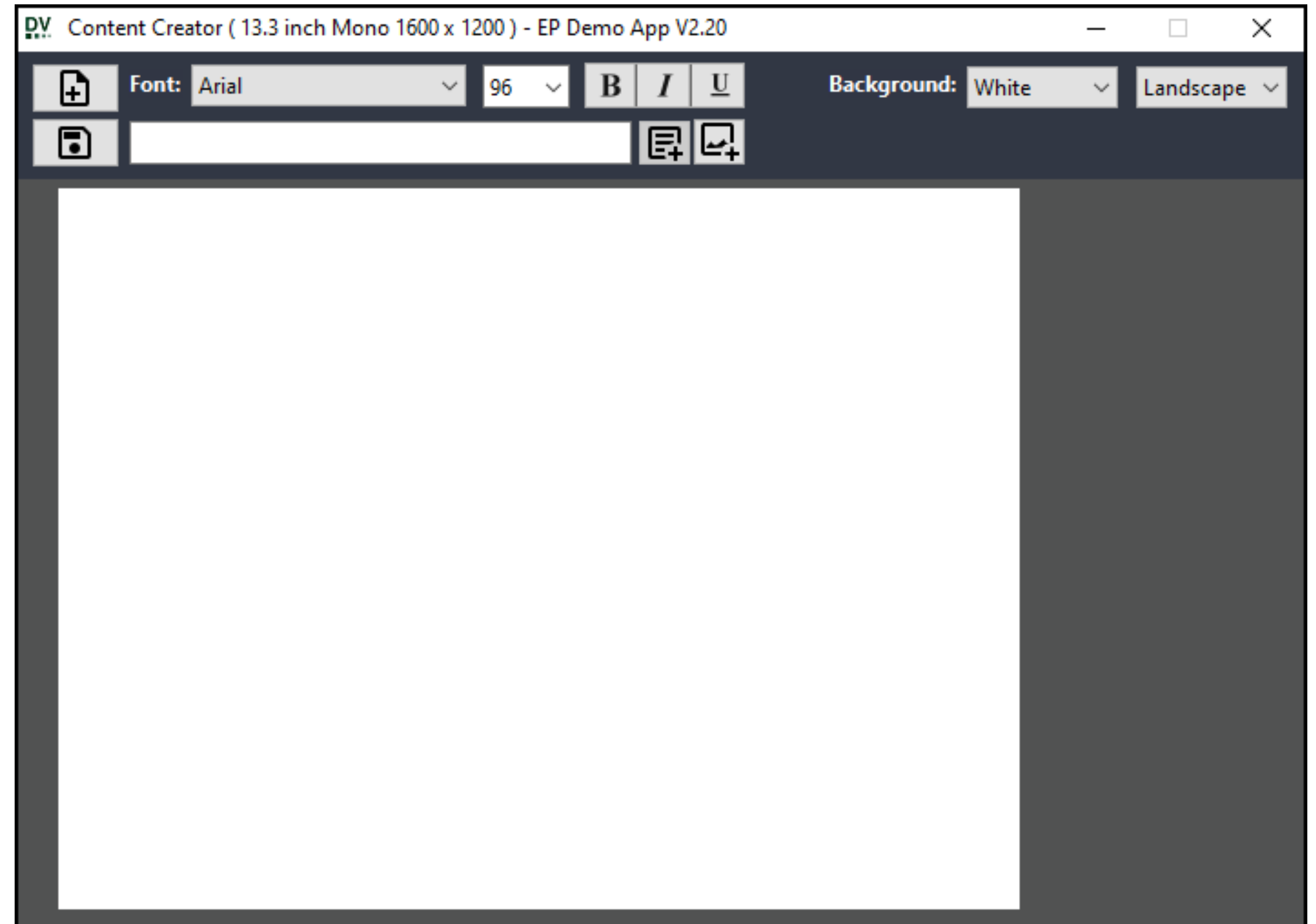


EP Demo App - Content Creator*

Windows compatible

- Monochrome: 13.3" 28" 32" 42"
- Color: 25.3" 32"
- Background & auto text color
- Text formatting
- Add image with scaling & position
- Landscape / Portrait
- Auto add to playlist

* *The Content Creator is part of the EP Demo App*

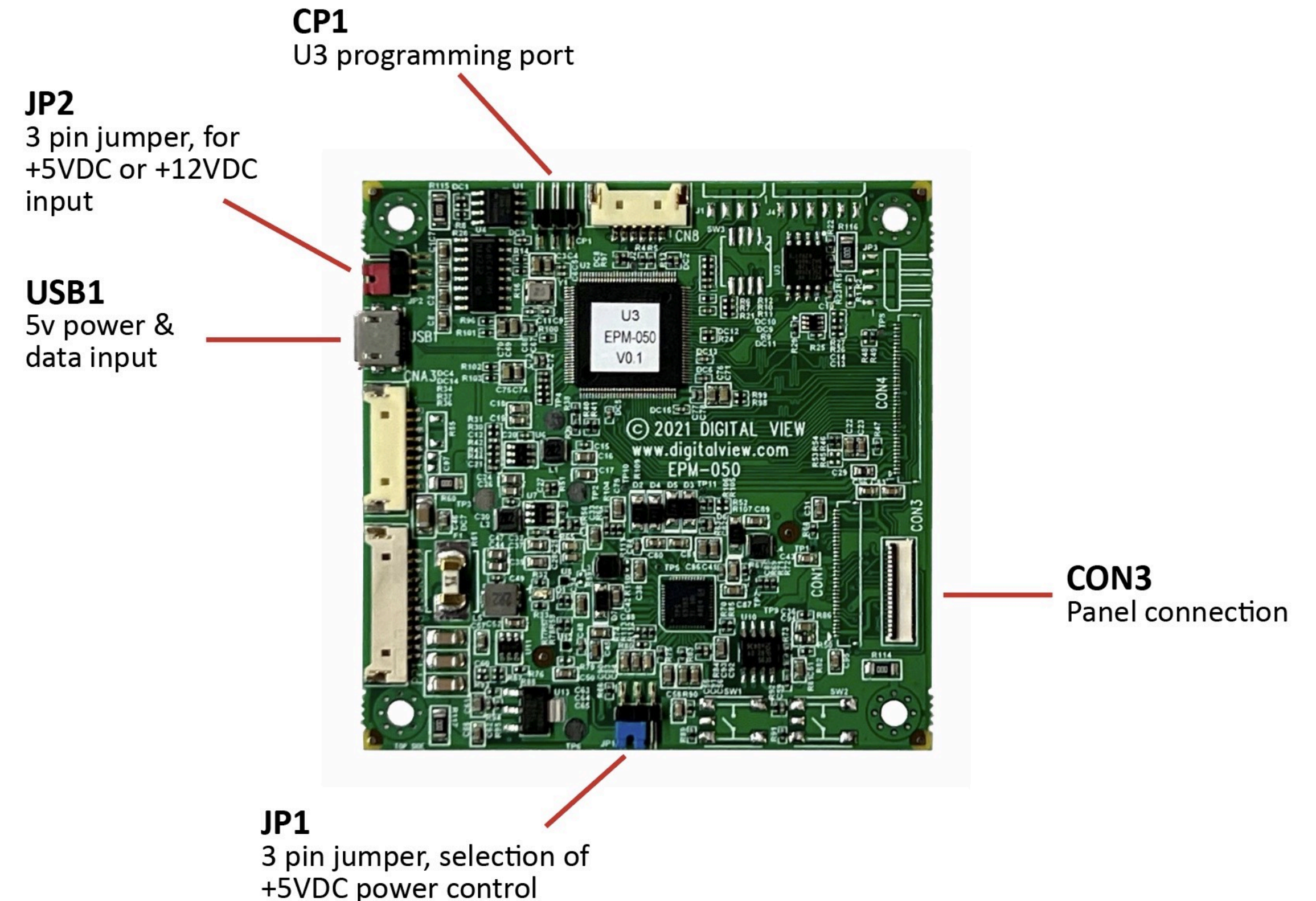


*Setting up EPM-050 Via CP1 programming port

- Update firmware
- Set VCOM value
- Update waveform

Currently done using the E Ink Windows application. DV is developing a dedicated app to enable this.

The E Ink panel and EPM-050 may already be paired. This procedure is only required if the parts were acquired separately or it is not confirmed that they are paired.



Furthermore

Digital View also provides...

- Driver board for all panel sizes from 13.3” to 42”: EPM-100, EPM-10028L, EPM-050
- In development: Low power media player solutions for E Ink
- Software: EP Demo App, Conversa CMS, and 3rd party application specific CMS systems
- Demo & evaluation kits, open frame, demo displays, enclosure design
- Outdoor Master final assembly & setup
- Glass handling equipment
- Glass or acrylic bonding services
- Protective film, replaceable, anti-glare, UV protection
- Custom mechanical & electronics engineering
- Power solutions such as solar



Connecting & Writing to an E Ink Panel

For more information contact us via: www.digitalview.com or call

USA: +1-408-782-7773 UK: +44-(0)20-7631 2150 HK: +852-2861 3615

**© 2022 Digital View, Jan 2022
www.digitalview.com**